

T.I. no.: 2024-06 Updated: -	Topic: Steam wand pressure piece / washer
---------------------------------	---

Date: 21.05.2024
Affected machines: SOUL and SKYE
From serial number: 2414 XXXXXX
As of date: 1 April 2024

Priority and need for action	
<input type="checkbox"/>	High: as soon as possible
<input type="checkbox"/>	Medium: on next visit to the machine
<input checked="" type="checkbox"/>	Low: FYI only

DESCRIPTION AND SOLUTION OF PROBLEM

1. The previously used white pressure piece was made from PTFE (polytetrafluoroethylene). The pressure piece is now made from PEEK (polyether ether ketone), as this material better supports optimised use and results in a longer service life. The new pressure piece 101361 is black.



Figure 1 New black pressure piece 101361

- 2. PTFE is a suspect material and may contain PFAS. The EU Commission is considering banning it. This is another reason to make the new pressure piece from the material PEEK.
- 3. The overall length of the new pressure piece has been extended. This means washer **1060014** is **omitted**.

New black pressure piece 101361

The new black pressure piece 101361 is assembled without a washer.

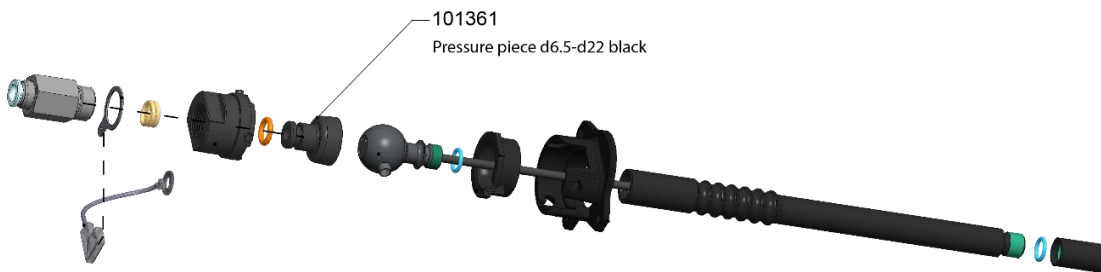


Figure 2 New black pressure piece

Old white pressure piece 101361 with washer 1060014

When it is time to install spare parts, the old white pressure piece is replaced with the new black pressure piece. Washer 1060014 must be removed in the process.

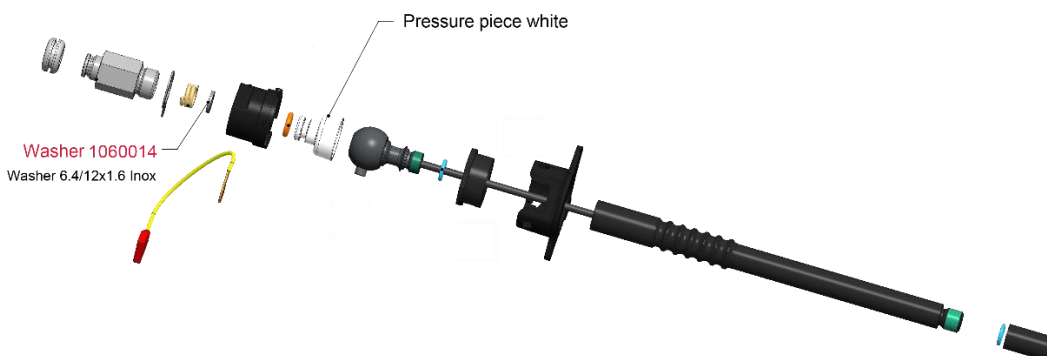


Figure 3: Old white pressure piece 101361 with washer

Special case: Replacement of new black pressure piece with old white pressure piece

If a new existing black pressure piece 101361 has to be replaced and only an old white pressure piece is available as a replacement:

- ▶ Remove black pressure piece 101361.
- ▶ Assemble white pressure piece.
- ▶ Assemble washer 1060014.

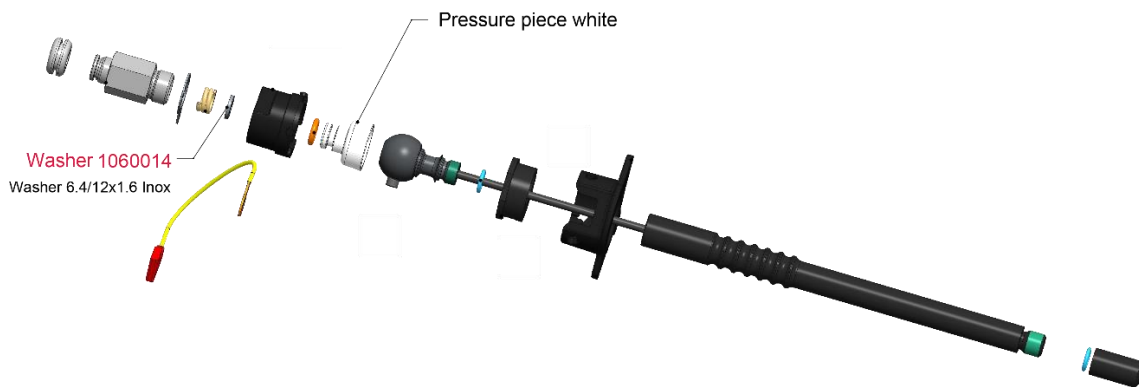


Figure 4 White pressure piece with washer replaces black pressure piece.

More information

For more information on the affected machines, contact **Technical Support**:

Service contact

Global Technical Support Team

GBU Professional Coffee Machines

- > Support hotline: +41 32 681 62 75 (10:00-11:30 a.m. CET/ 3:00-4:30 p.m. CET)
- > Support e-mail: technical-support@schaerer.com