

T.I. no.: 2016 - 09 Updated: -	Topic: Ground coffee outlet, SCP drinking water tank monitoring, on/off switch
---	---

Date: 29/9/2016	Priority	Need for action
Affected machines: SCP, SCC	High	As soon as possible
From serial number: -	X Medium	X On next visit to the machine
As of date: See entry	Low	FYI only

TABLE OF CONTENTS

Introduction.....	1
New functions and fixed errors	1
New ground coffee outlet (SCP, SCC)	2
On/off switch integrated in cable harness	2
New drinking water tank monitoring system (SCP)	3

INTRODUCTION

This technical information applies for SCP and SCC machines.

NEW FUNCTIONS AND FIXED ERRORS

The following is an overview of new machines and functions:

New machine components:

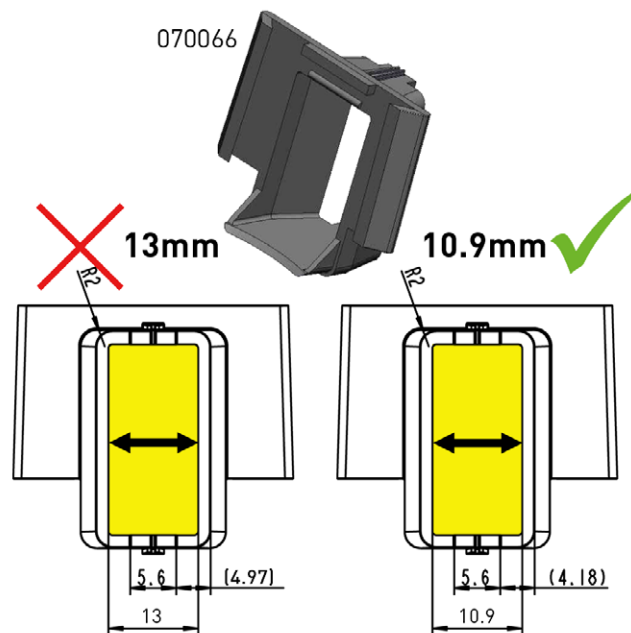
- New ground coffee outlet for SCC and SCP
- New monitoring system on SCP drinking water tank
- On/off switch

Resulting optimizations:

- A constricted 2 mm ground coffee outlet optimizes the stowage of ground coffee and reduces contamination around the brewing unit.
- The monitoring system of the SCP drinking water tank now also detects a drinking water tank when it is removed from the machine.

New ground coffee outlet (SCP, SCC)

New ground coffee outlet 070066 (Index h) will be reduced on both sides by 1 mm from CW18. The ground coffee is stowed better when the grind is coarse, and this also reduces contamination around the brewing unit.



On/off switch integrated in cable harness

The wires will be directly integrated into the cable harness by the supplier so that the customer will not have to do extensive soldering work on the on/off switch. This means it will be possible to replace the entire cable harness in the future.

The on/off switch spare part is therefore no longer available and will be replaced with the SCP 072876 door cable harness.

New drinking water tank monitoring system (SCP)

The monitoring system of the SCP drinking water tank will be optimised with a new filling level sensor (A) from CW35. Reed sensor 33.2390.8000 will be replaced by filling level sensor 072840.

A missing drinking water tank is now detected. The machine is no longer ready for use without a drinking water tank. The remaining water in the drinking water tank is now more accurately measured. An empty message is output before the last possible dispensing of a beverage. The message for filling the drinking water tank then appears.

Software V 2.61 is required to ensure the new sensor will work.

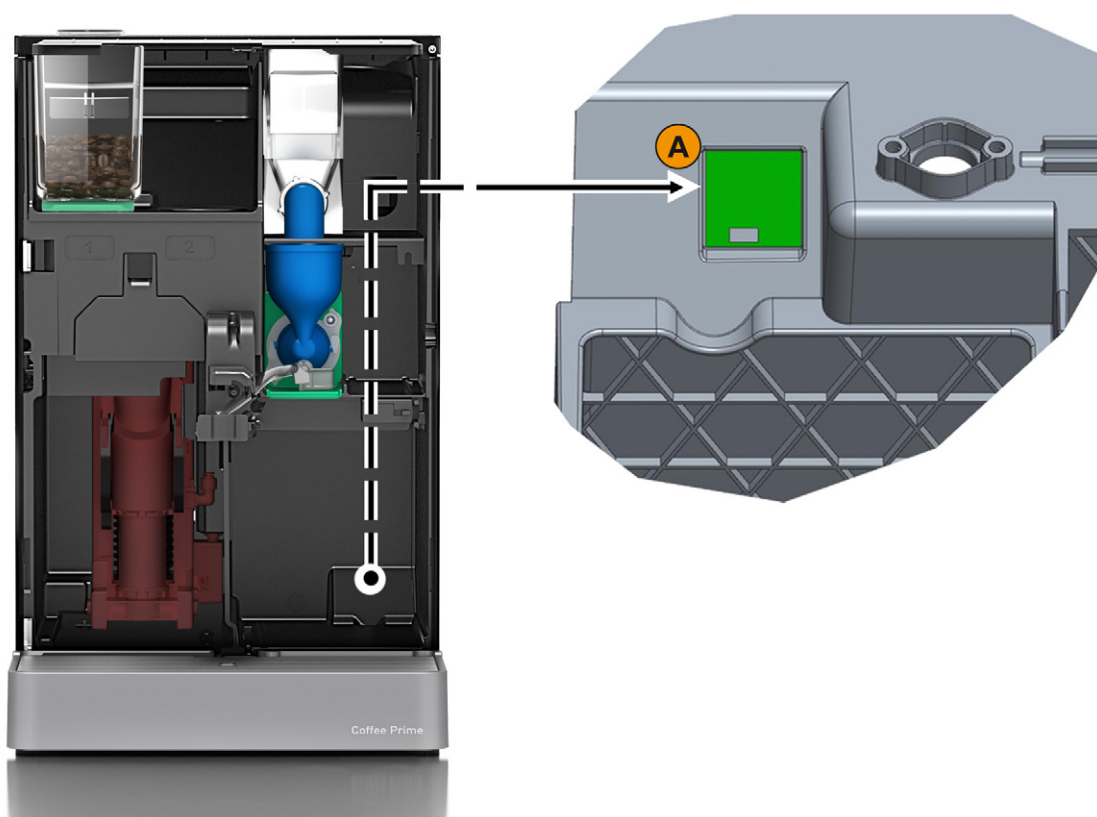
Note:

An update of machine software v2.61 with "old" sensor art. no. 33.2390.8000 is problem-free. The machine detects which sensor is installed via the machine serial number. Additional manual setting is not necessary.

The serial number can be checked in the "System" -> "Maintenance" menu.

Retrofitting:

The cable harness has been adapted for the new drinking water tank monitoring system. Retrofitting of sensor art. no. 72840 is not possible.



Level sensor (A) overview from top left.

(EN) This page is intentionally left blank.

(DE) Diese Seite wurde absichtlich frei gelassen.

(FR) Cette page est laissée vide intentionnellement.

(ES) Esta página se dejado en blanco intencionalmente.