

<b>T.I. no.:</b> 2018 - 26 <b>Updated:</b> -	<b>Topic:</b> Powder outlet
---	-----------------------------

<b>Date:</b> 26.09.2018
<b>Affected machines:</b> SC Soul
<b>From serial number:</b> 1826.../
<b>As of date:</b> -

Priority	
	High
	Medium
X	Low

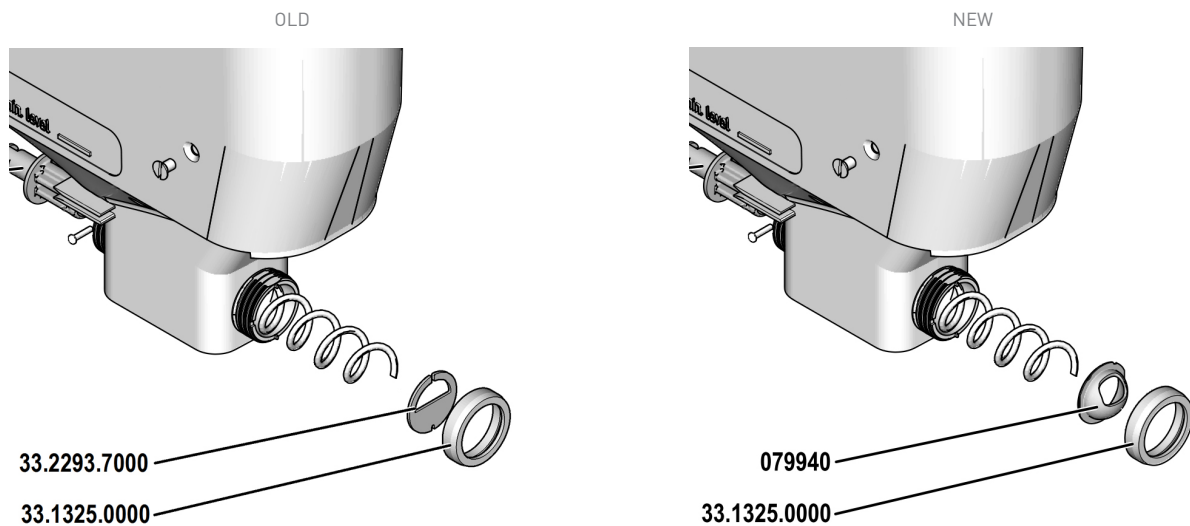
Need for action	
	As soon as possible
	On next visit to the machine
X	FYI only

## POWDER OUTLET

Depending on the powder used, it is possible that it will continue to trickle after dispensing. An outlet aperture has been developed to prevent this. It replaces 33.2293.7000 and has been integrated in the series starting at 1826.../.

The outlet aperture (079940) can be ordered and is backwards compatible. Existing recipes must be reset since the flow of powder changes.

Because the powder outlets in machines with Twin Topping are longer, they are not affected.



The opening must point upwards (see image above) so that the outlet aperture works correctly. If the opening points downwards, you do not get the desired effect.

In order to insert the powder container with the new outlet aperture, insert the powder container into the machine a bit tilted forwards and then lower it in to the rear.



(EN) This page is intentionally left blank.

(DE) Diese Seite wurde absichtlich frei gelassen.

(FR) Cette page est laissée vide intentionnellement.

(ES) Esta página se dejado en blanco intencionalmente.