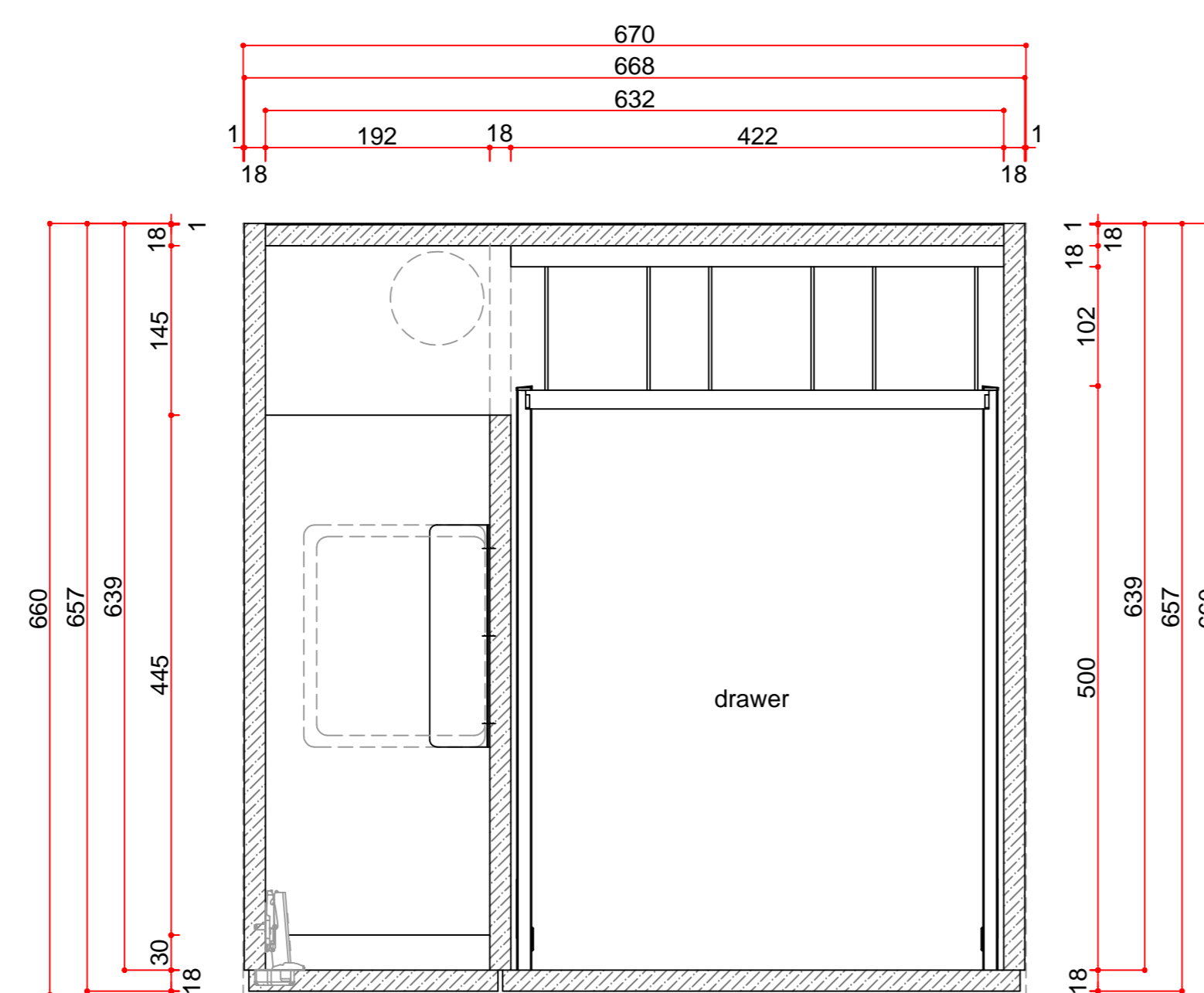
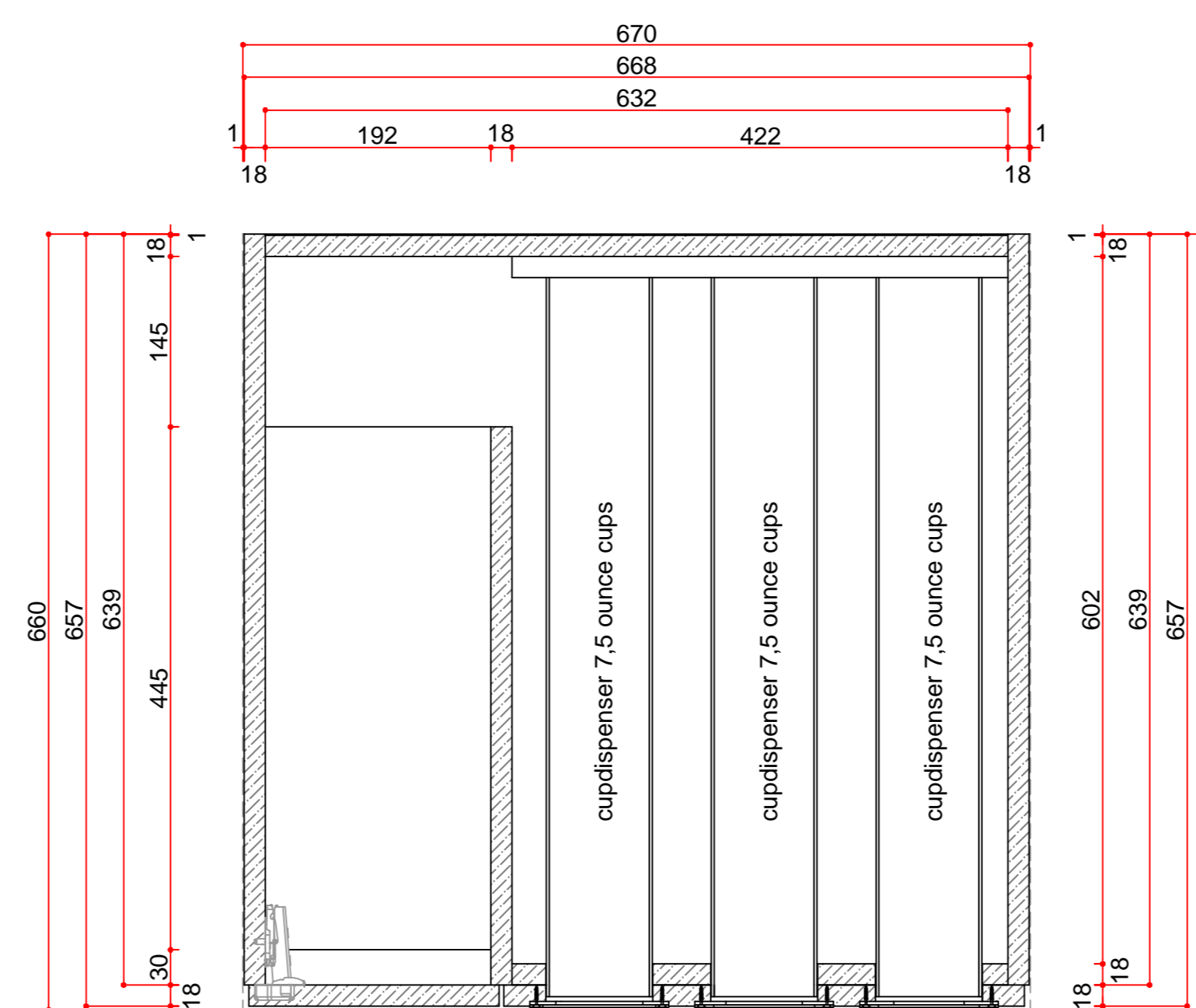


Top view



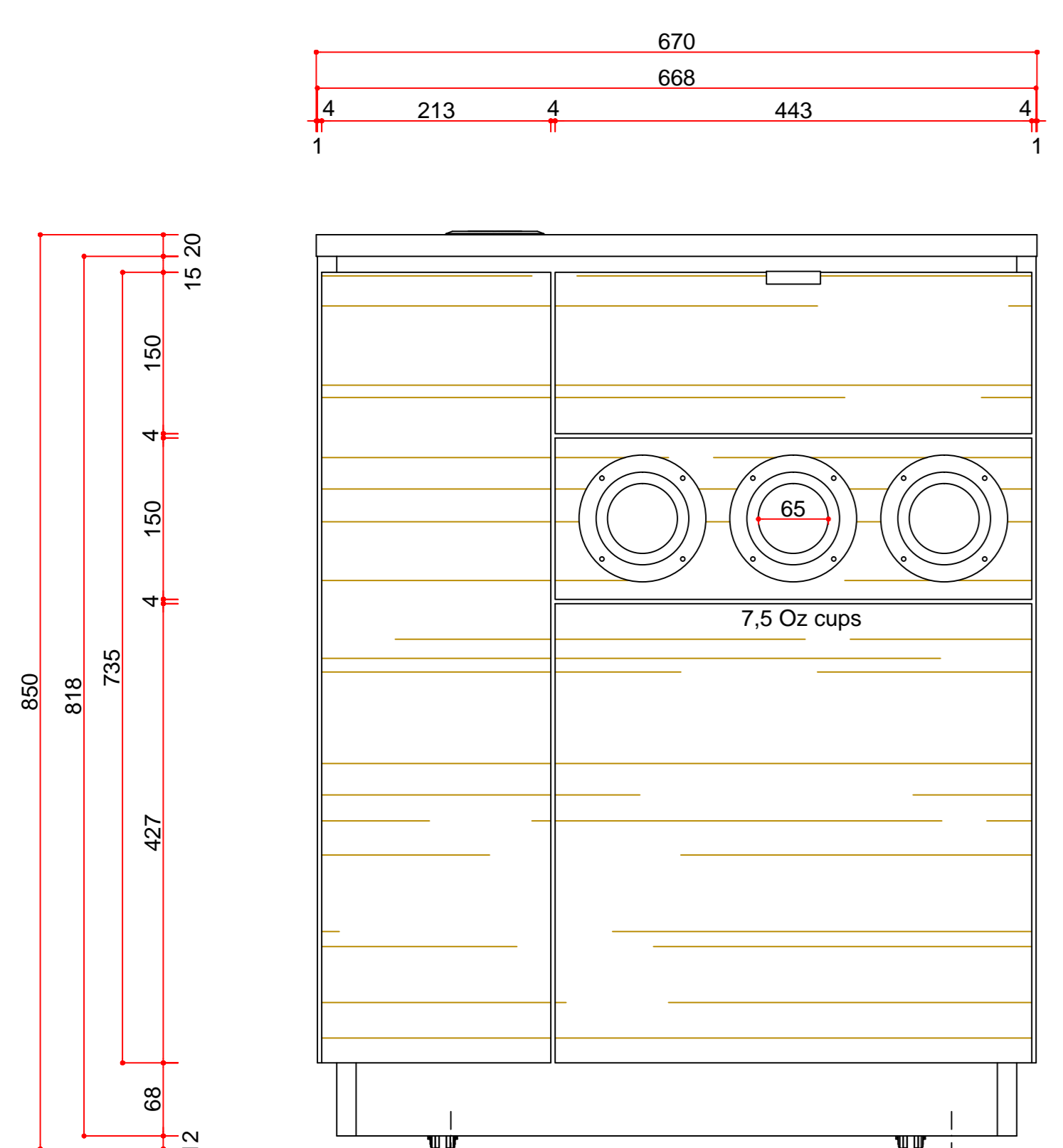
Horizontal section A-A



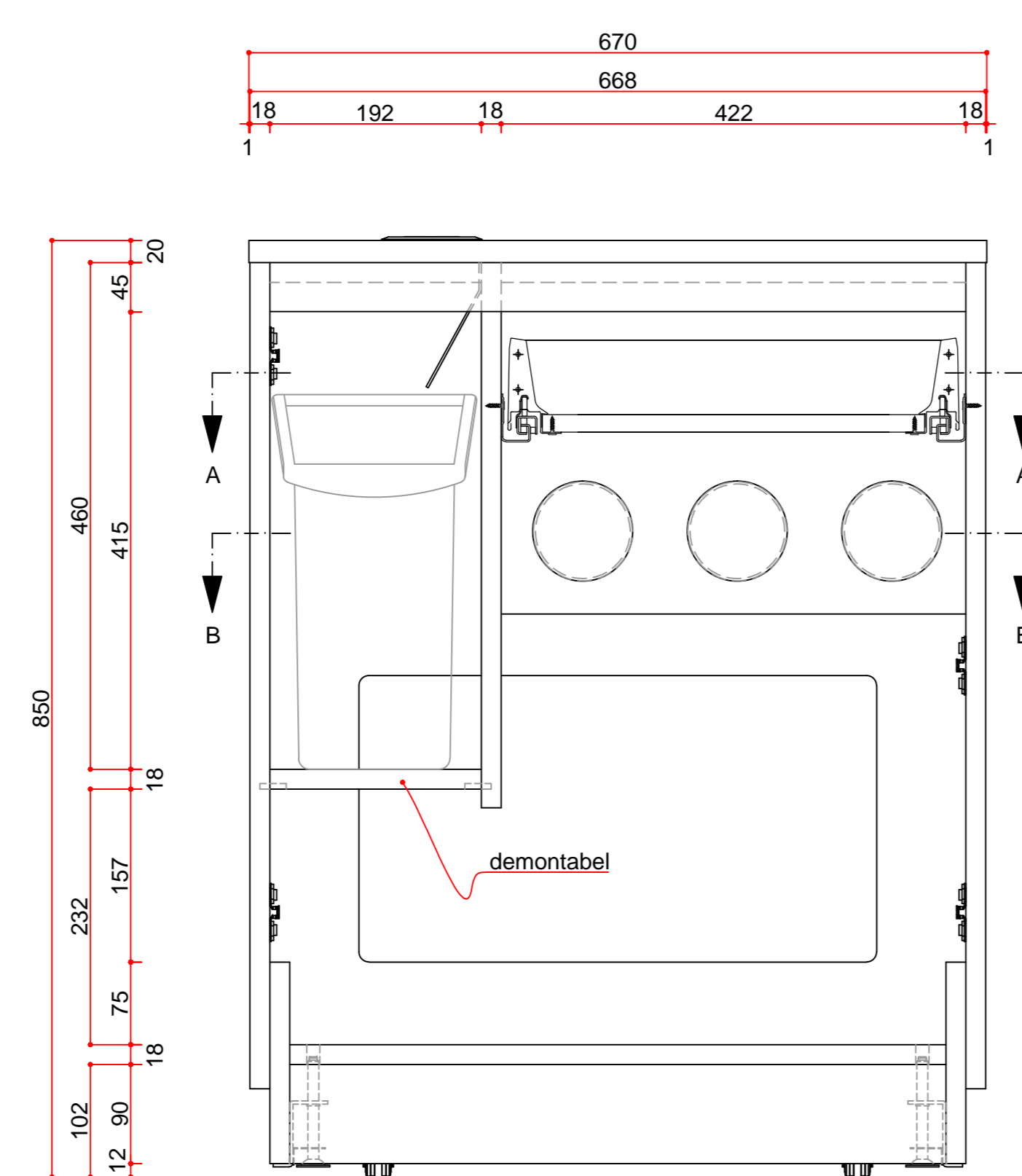
Horizontal section B-B



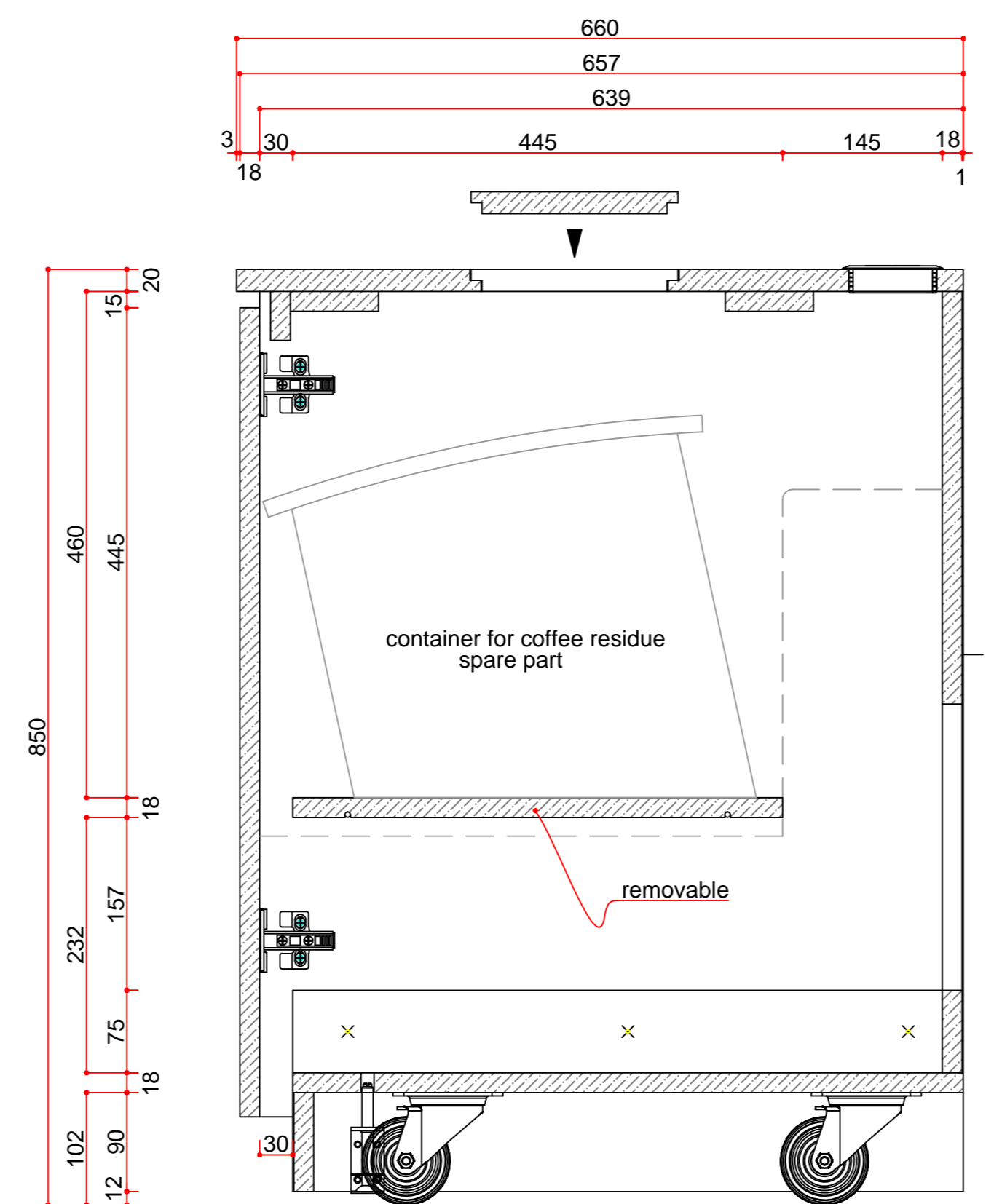
Cabinet_Strd_67_Wood_3Disp_1Drwr



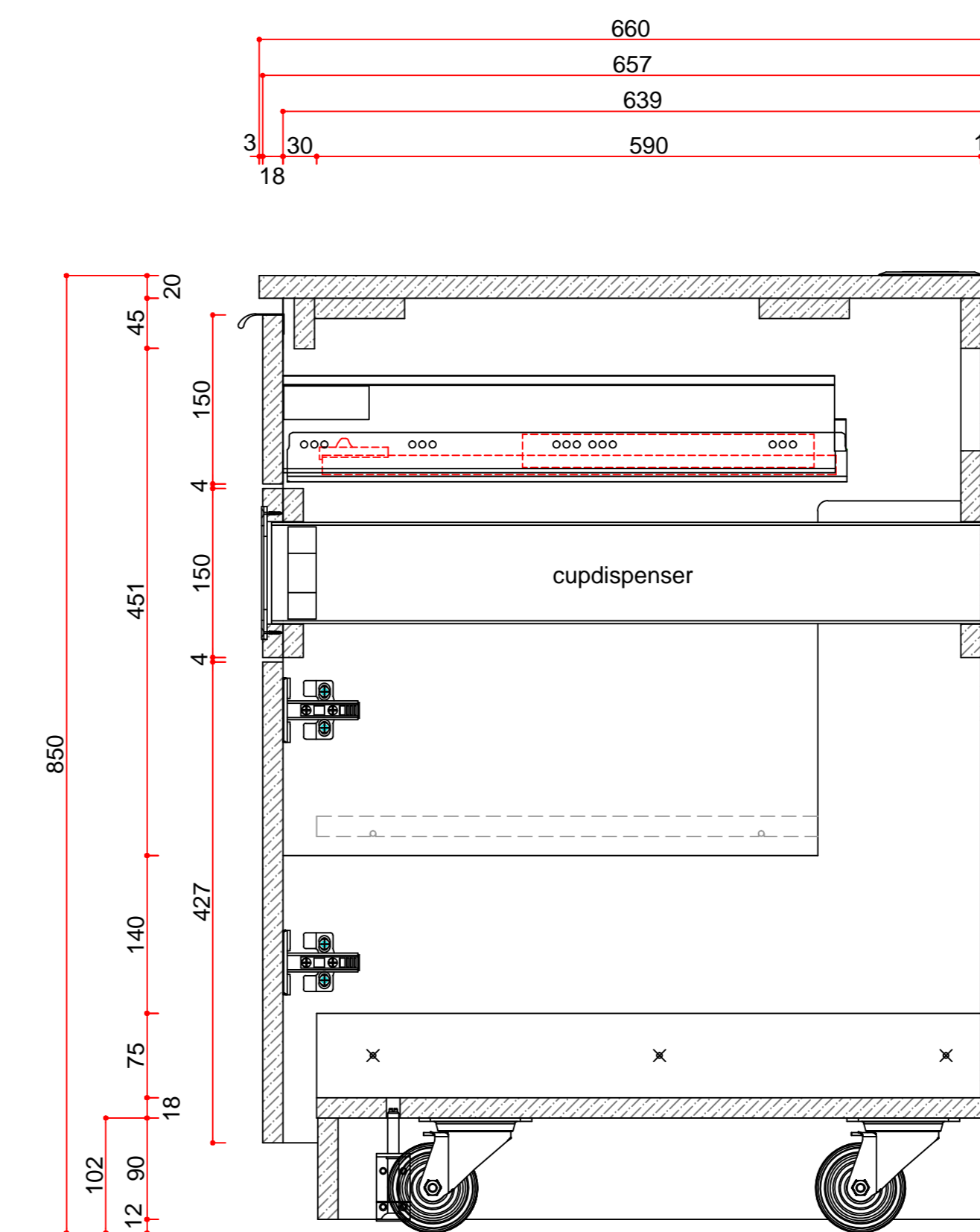
Front view



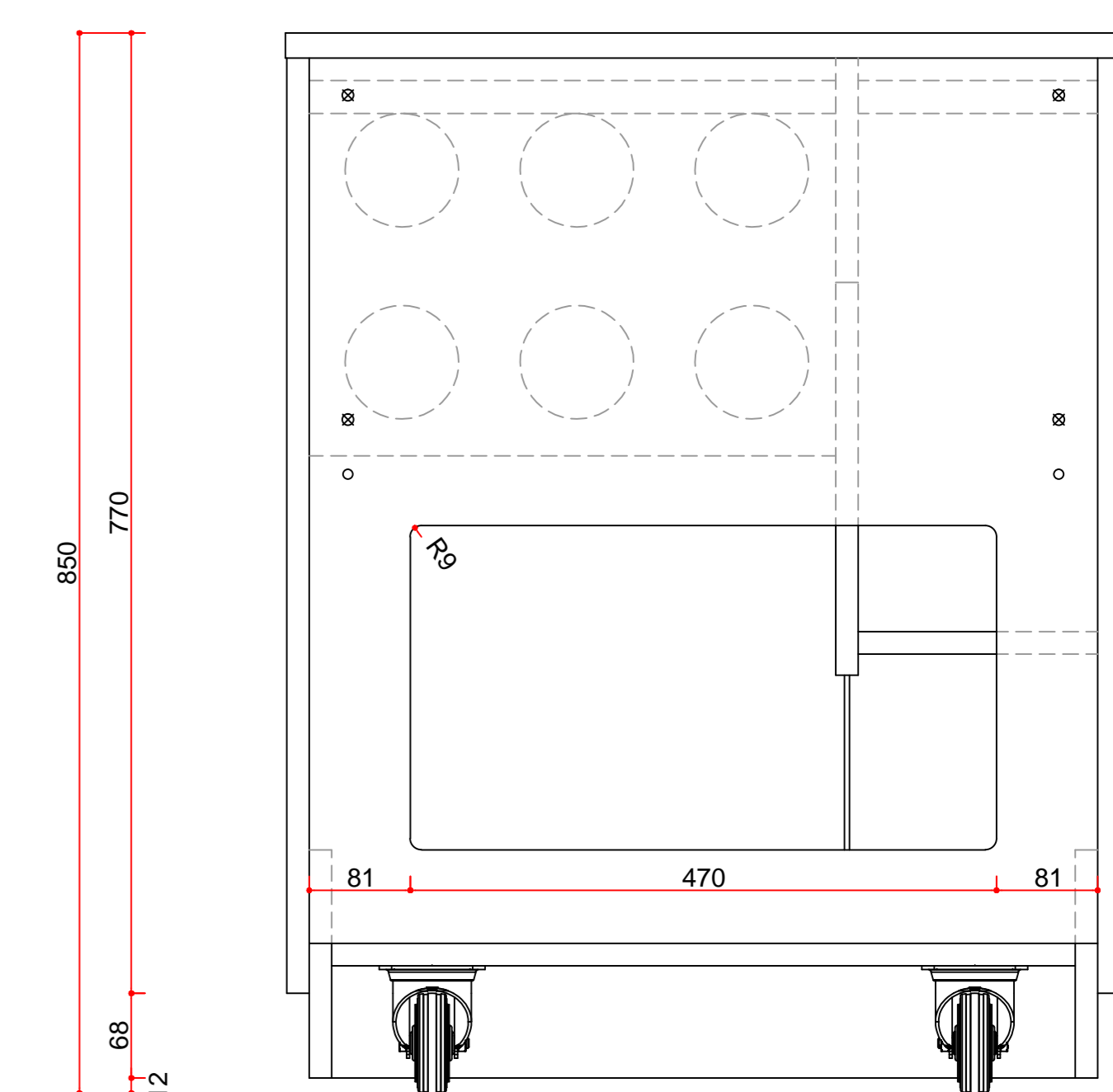
Front view without fronts



Vertical section C-C



Vertical section D-D



Back view

Materials	
Basic cabinet	Melamine chipwood Thermopal U12000 MP black, water resistant
Edges cabinet	ABS 1 mm, Thermopal U12000 MP black
Plinth cabinet	Melamine chipwood Thermopal U12000 MP black, water resistant
Fronts	Melamine chipwood Thermopal R20134 MO Lefkas Oak
Edges fronts	ABS 1 mm, Thermopal R20134 MO Lefkas Oak
Rings cupdispencers	Black plastic
Handgrip profile	Melamine chipwood Thermopal U12000 MP black, water resistant
Worktop	Black MDF water resistant, HPL Thermopal U12000 SD black
Edges worktop	ABS 1 mm, Thermopal U12000 MP black
Wheels	Castor wheels Blicke LPA-TPA 75G

Color Article Number:

Wood 2020100026

FINAL PRODUCTION DRAWING

Oprichtgever: Jacobs Douwe Egberts	Schaal:
Project: Standard cabinet 670 mm 3disp-1drwr	1:5
Retref: Standard cabinet 670 mm 3disp-1drwr	Order:
Dat: 12-01-2021	Formaat: A0
	Wijziging:
	a 19-01-2021
	Paraaf:
	b
	c