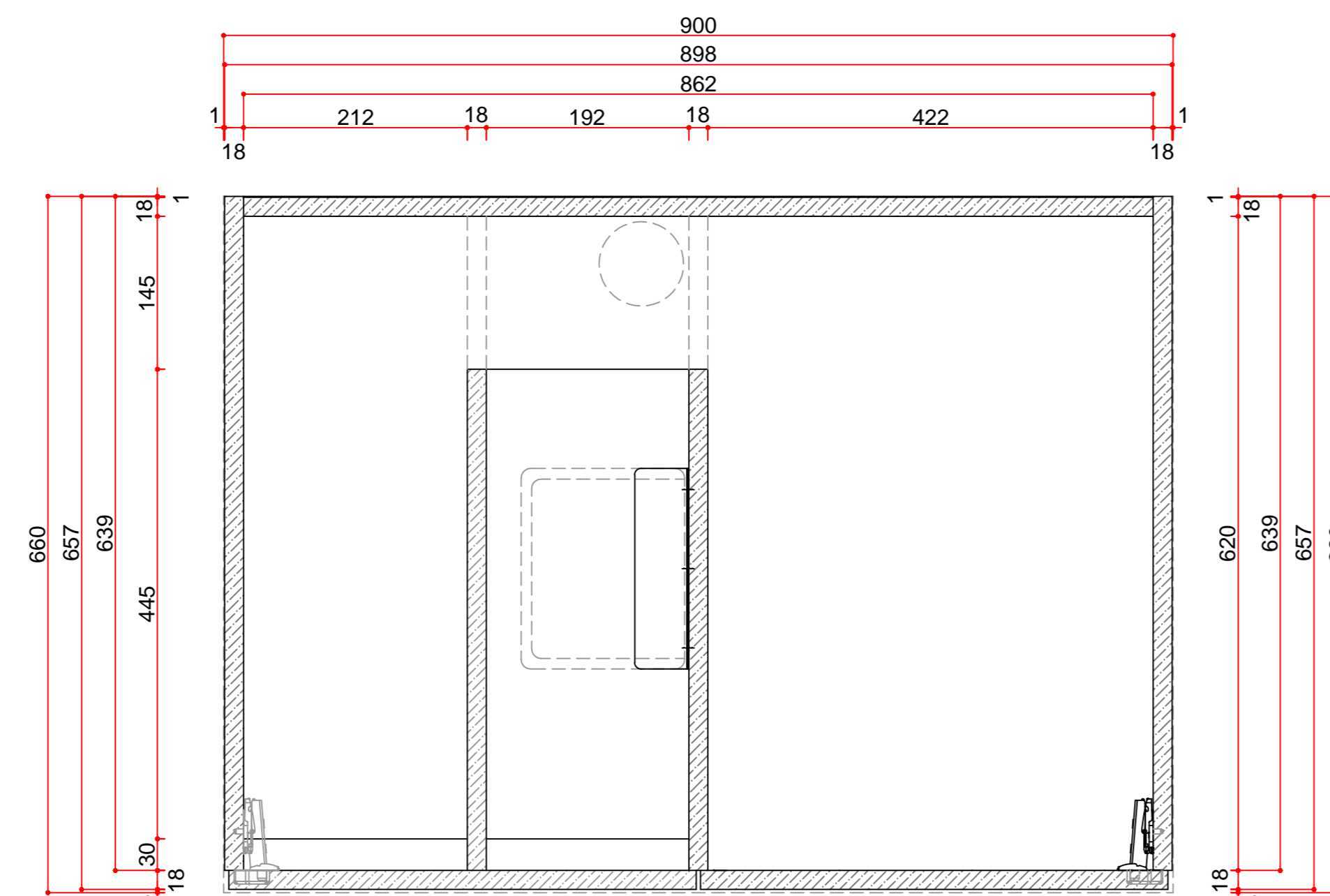


Top view

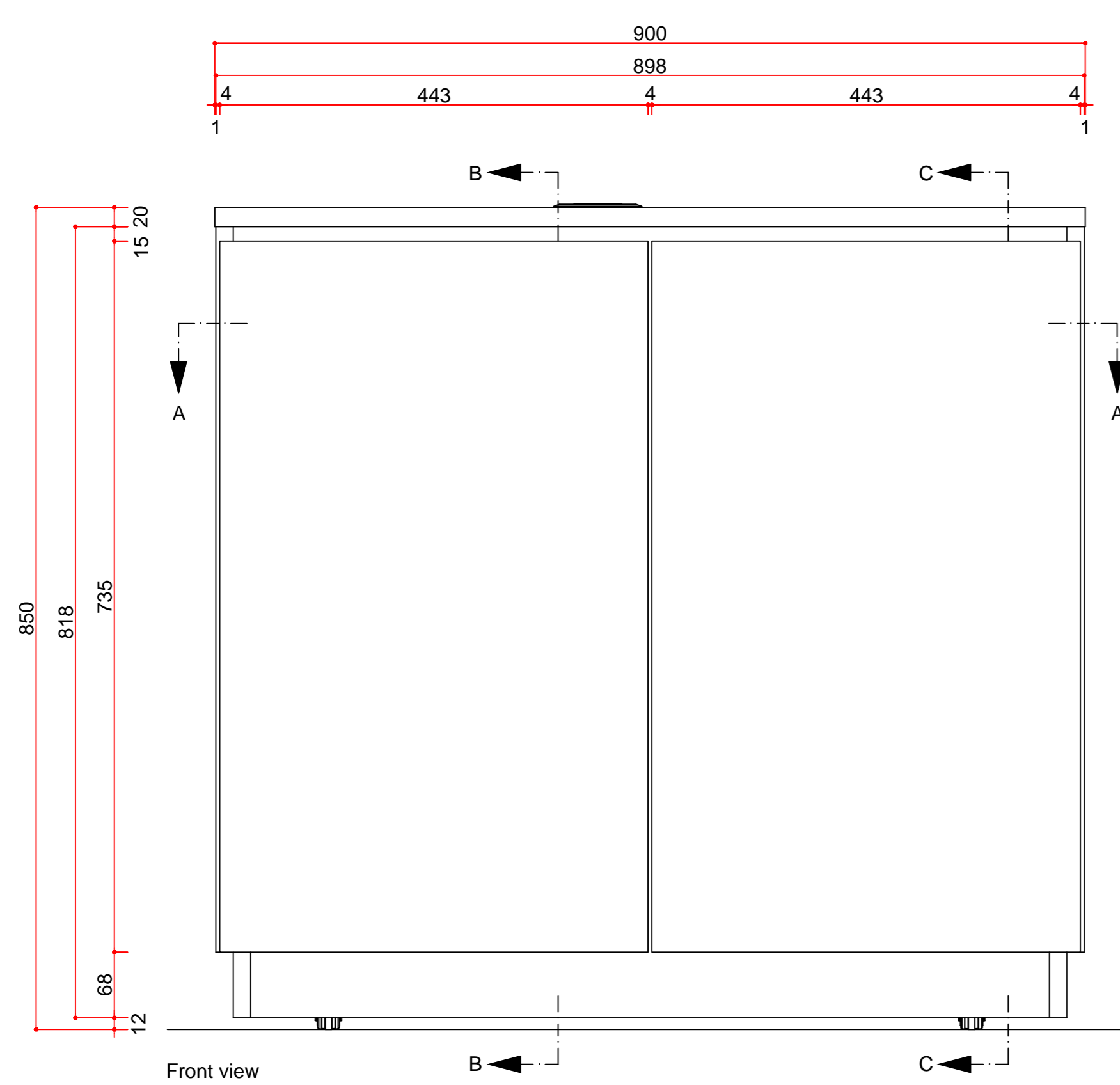


Horizontal section A-A

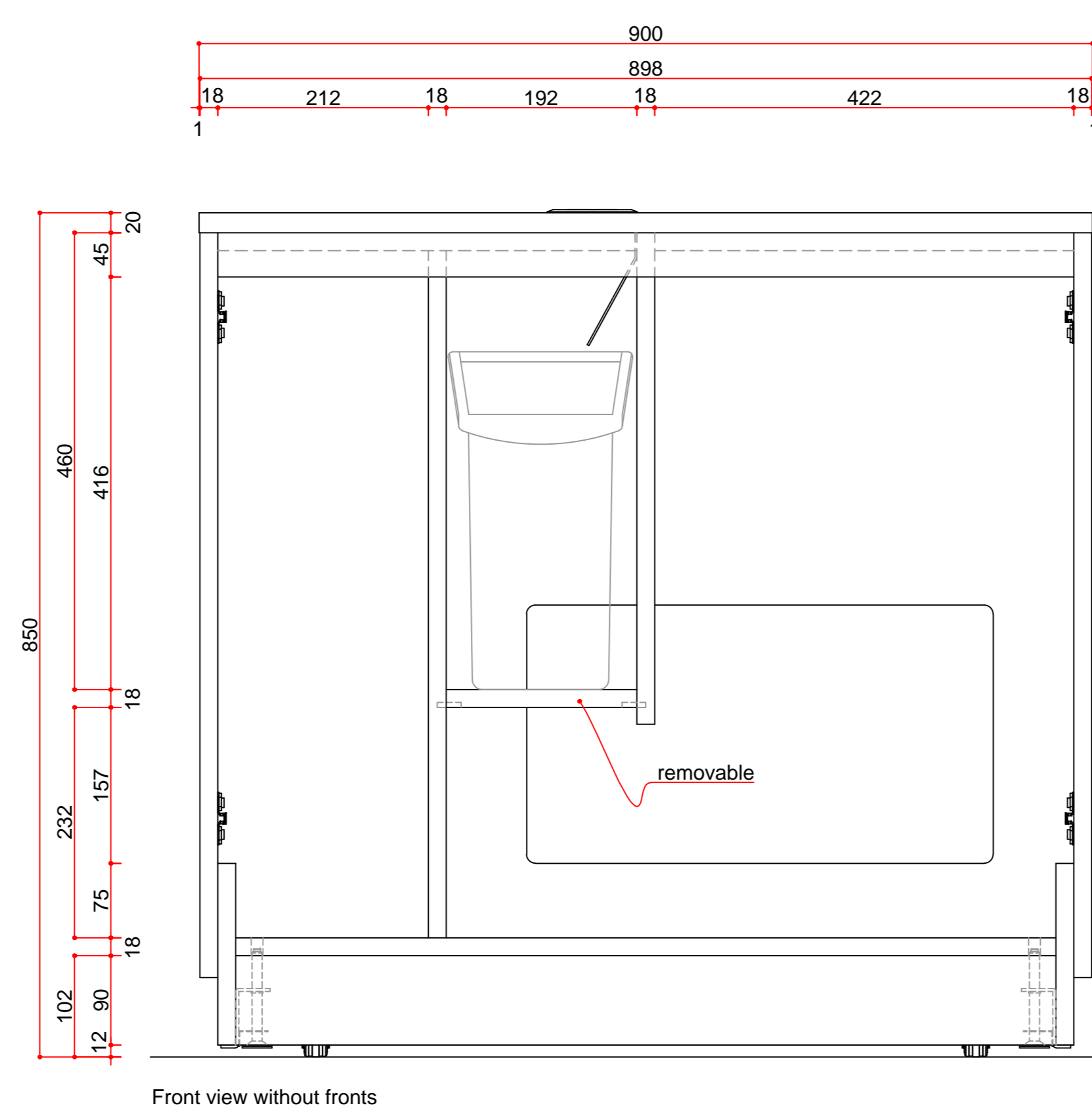
Materials	
Basic cabinet	Melamine chipwood Thermopal U12000 MP black, water resistant
Edges cabinet	ABS 1 mm, Thermopal U12000 MP black
Plinth cabinet	Melamine chipwood Thermopal U12000 MP black, water resistant
Fronts	Melamine chipwood Thermopal U12000 MP black
Edges fronts	ABS 1 mm, Thermopal U12000 MP black
Handgrip profile	Melamine chipwood Thermopal U12000 MP black, water resistant
Worktop	Black MDF water resistant, HPL Thermopal U12000 SD black
Edges worktop	ABS 1 mm, Thermopal U12000 MP black
Wheels	Castor wheels Blicke LPA-TPA 75G
Container Coffee residue	Manutan Mondo 18 l, color blue
Coffee residue conduction	Steel, Ral 9005 black



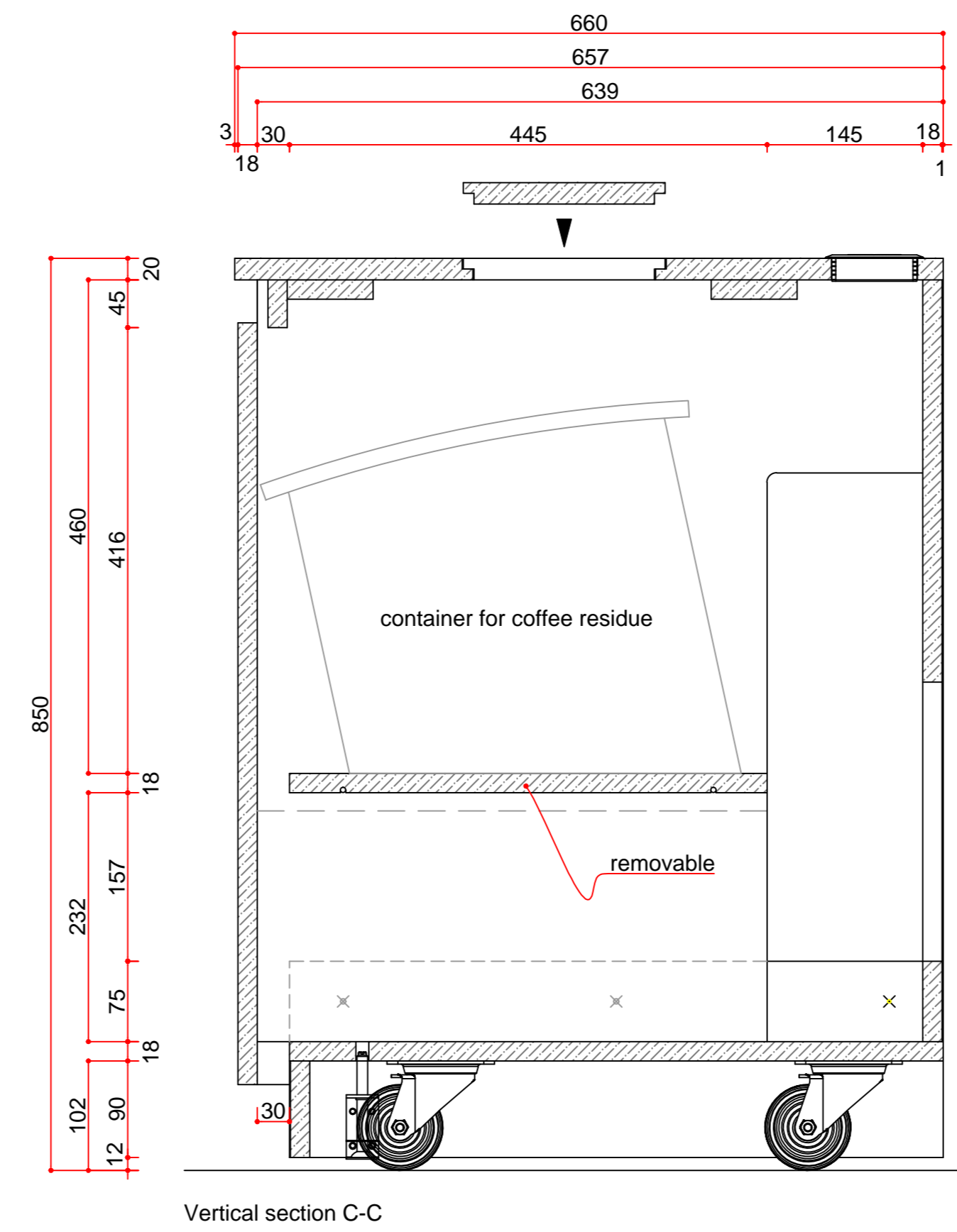
Cabinet_Basic_90_Black



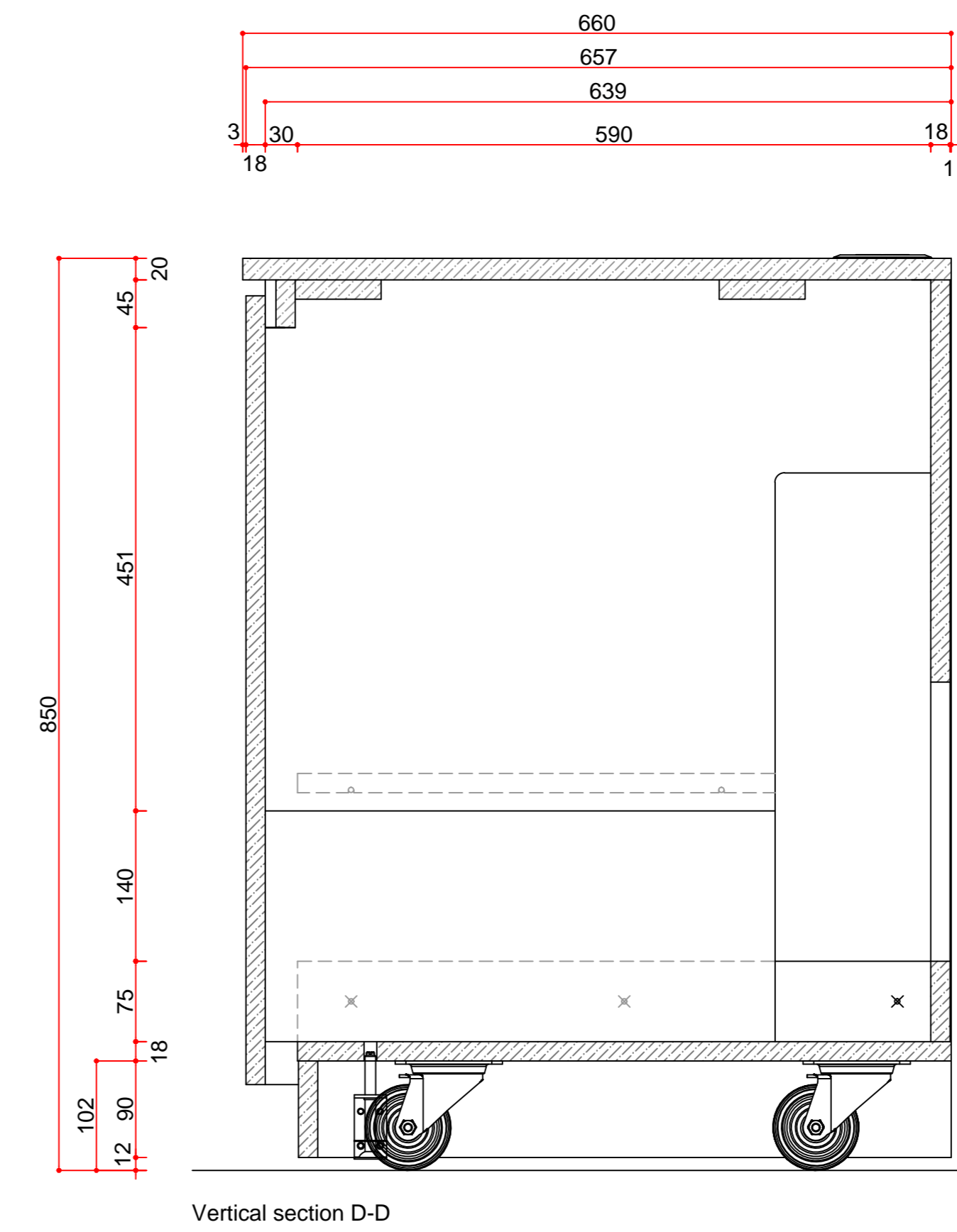
Front view



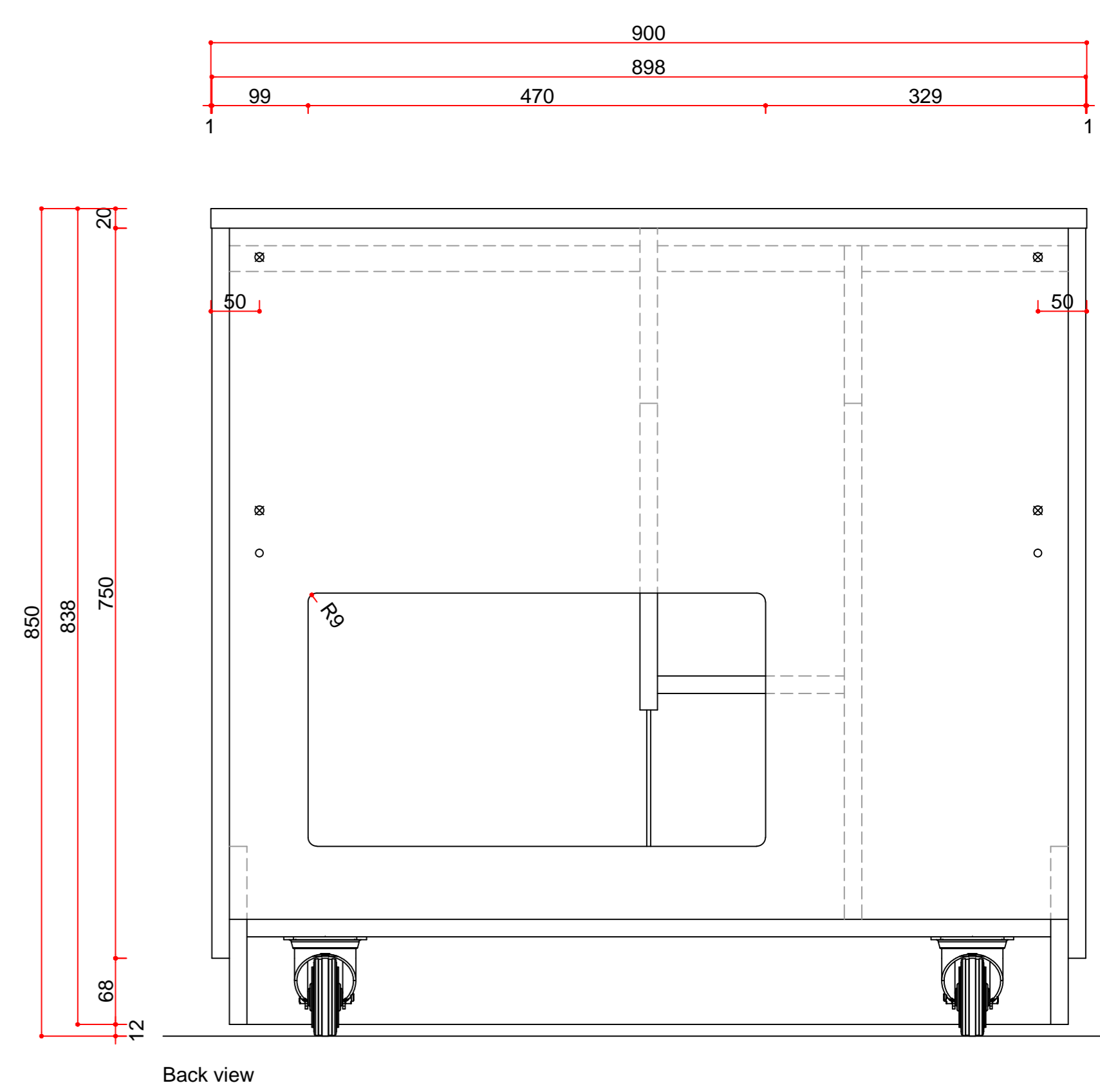
Front view without fronts



Vertical section C-C



Vertical section D-D



Back view

Color **Black** Article Number: **2020100044**

Black 2020100044

Opdrachtgever: Jacobs Douwe Egberts		Schaal:
Project: Basic cabinet 900 mm		1:5
Betreft: Basic cabinet 900 mm		Order:
Dat: 12-01-2021	Formaat: A0	Wijziging:
Finitonek		19-02-2021
Maat in mm	a	Paraaf:
Get. J.D.	b	
	c	