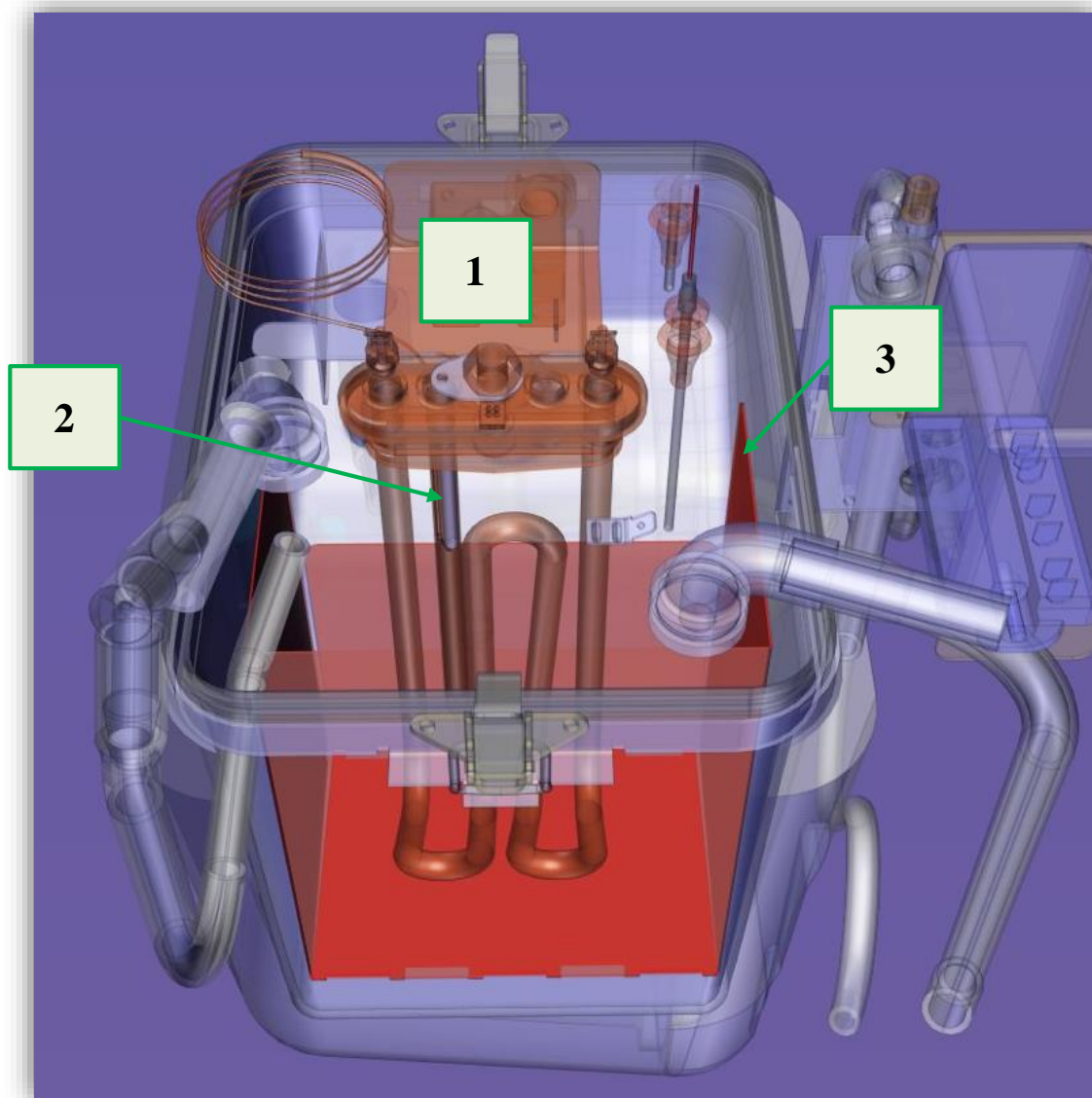


Type <b>Coffee Vending Machine</b>	Model <b>9100 IN - 9200</b>	N° T.I. <b>08 - 2022</b>	
Serial Number <b>23920599</b>	Subject <b>New resistance assembly</b>	ISSUED FOR (X)	Action Information <b>X</b>

**REASON:**

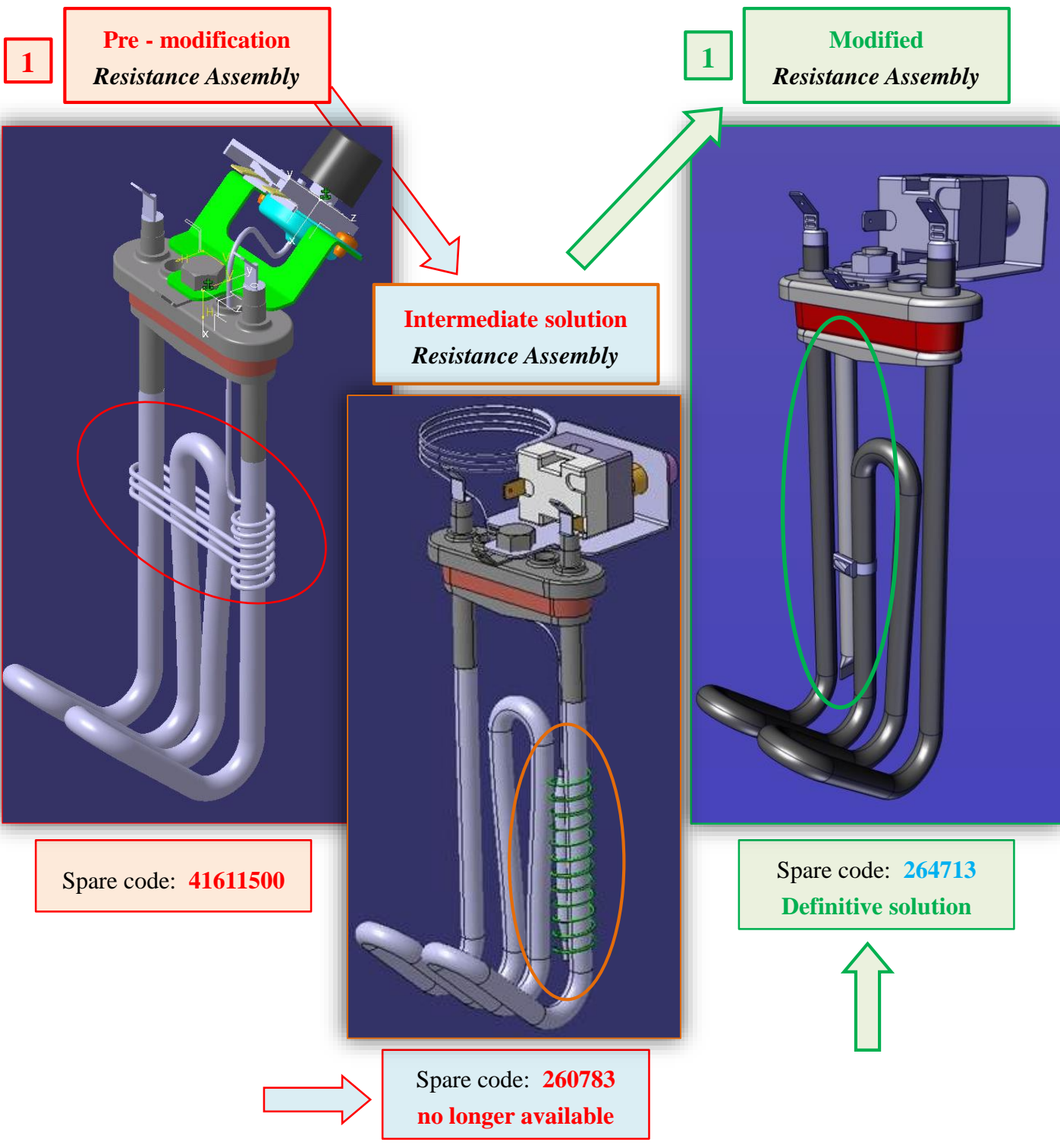
Be informed that with the aim to improve our equipment, the *boiler assembly* has been modified for the 9100 machine, by introducing:

1. a **modified** Resistance assembly
2. a **new** bulb contrast pin assembly
3. a **new** Carter.



Type <b>Coffee Vending Machine</b>	Model <b>9100 IN - 9200</b>	N° T.I. <b>08 - 2022</b>
Serial Number <b>23920599</b>	Subject <b>New resistance assembly</b>	ISSUED FOR (X) Action Information <b>X</b>

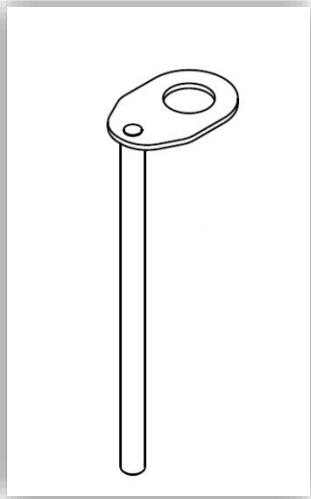
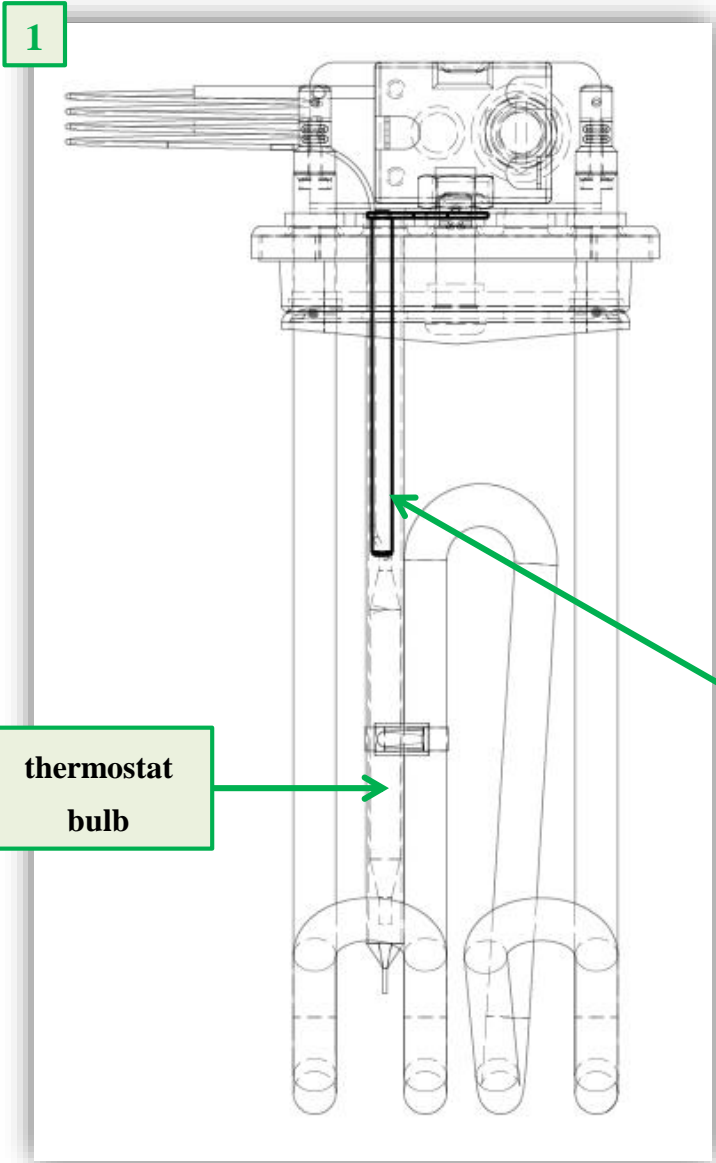
**MODIFICATIONS:** there are **3 scenarios** of *resistance assembly*



Type <b>Coffee Vending Machine</b>	Model <b>9100 IN - 9200</b>	N° T.I. <b>08 - 2022</b>	
Serial Number <b>23920599</b>	Subject <b>New resistance assembly</b>	ISSUED FOR (X)	Action Information <b>X</b>

**MODIFICATIONS:**

**Modified Resistance Assembly (1) + new Bulb contrast pin assembly (2)**



**New Bulb contrast pin assembly**  
Spare code: **264712**

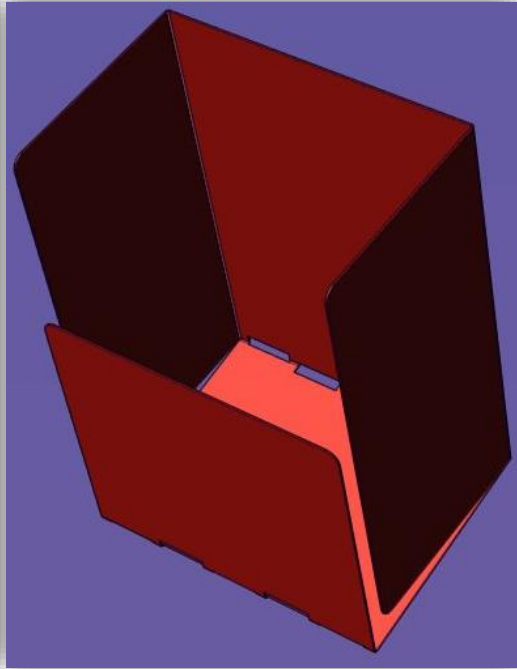
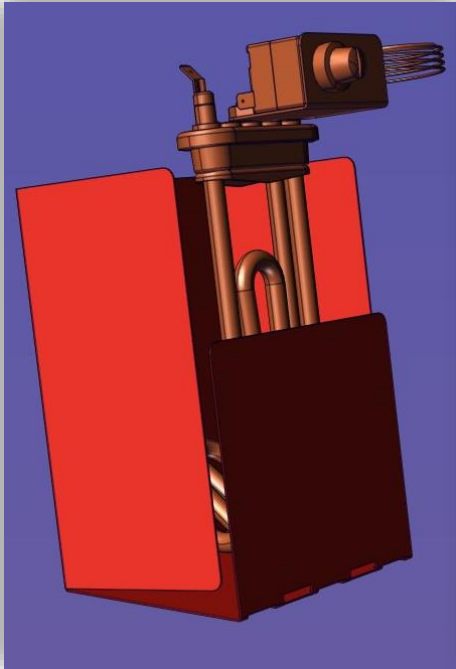
The **modified resistance assembly** has the thermostat bulb housed inside a steel tube in contact with the resistance coil

Type <b>Coffee Vending Machine</b>	Model <b>9100 IN - 9200</b>	N° T.I. <b>08 - 2022</b>	
Serial Number <b>23920599</b>	Subject <b>New resistance assembly</b>	ISSUED FOR (X)	Action Information <input checked="" type="checkbox"/>

**MODIFICATIONS:**

**3** **New Carter**  
Spare code: **264711**

**Pre - modification solution**  
**NO Carter**



The **carter** was introduced to avoid deformation of the plastic body of the boiler in case of dry operation (anomaly of the control system)

➤ **Machines concerned by modification from S/N: 23920599**

**EXCHANGEABILITY:**

The **modified Boiler assembly** (spare code: **260784**) can be used on **pre-modification** machines.

**For machines previous to S/N above** it is possible to use the **modified Resistance assembly** (spare code: **264713**), by ordering the **new Bulb contrast pin assembly** (spare code: **264712**) and the **new Carter** (spare code: **264711**).