

Type <b>Coffee Vending Machine</b>	Model <b>9XXX</b>	N° T.I. <b>02 - 2022</b>					
Serial Number <b>21221855</b>	Subject <b>NEW FOOT "M8 X 24" – BLACK for CABINET</b>	ISSUED FOR (X)	<table border="1"> <tr> <td>Action</td> <td></td> </tr> <tr> <td>Information</td> <td><b>X</b></td> </tr> </table>	Action		Information	<b>X</b>
Action							
Information	<b>X</b>						

**REASON:**

Be informed that to allow for greater adjustment

**MODIFICATIONS:**

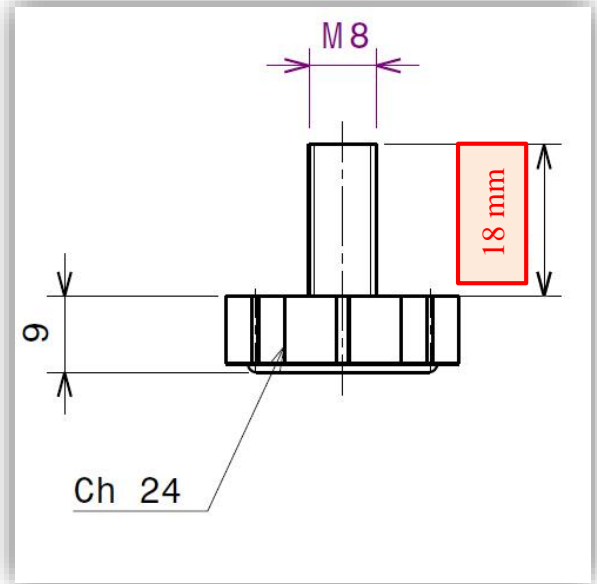
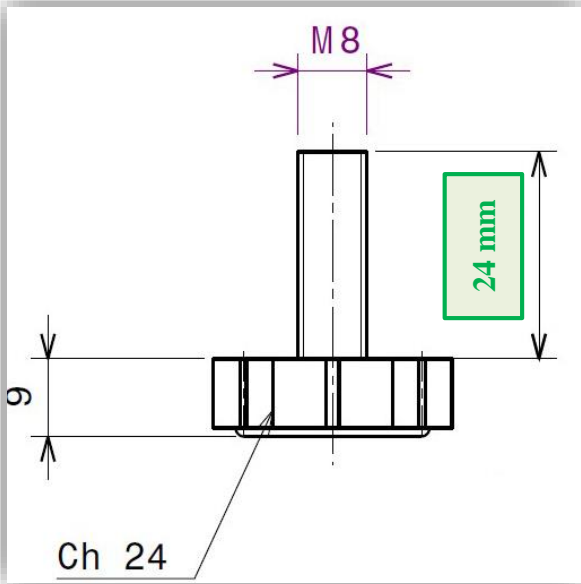
a **new longer foot M8 x 24** color *black* for cabinet has been introduced to replace the foot **M8 x 18** *black* (spare code **096244**)

**New foot M8 x 24 mm - black**

Spare part code: **265335**

**Pre-modification foot M8 x 18 mm - black**

Spare part code: **096244**



➤ **Machines concerned by modification from S/N 21221855.**

**EXCHANGEABILITY:**

The **pre – modification** code **096244** is still available.