

TECHNICAL INFORMATION

Range WITTENBORG	Model ALL	T.I. Nr 28_2011
Serial Number 14014472	Subject MIXER ASSEMBLY	Complaint Nr W 10/026

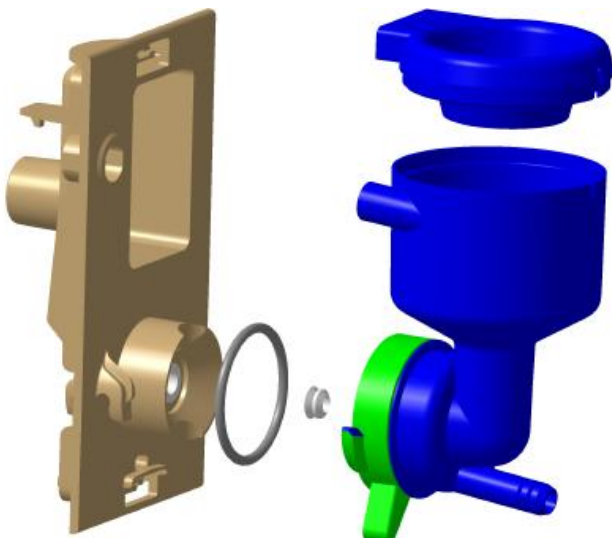
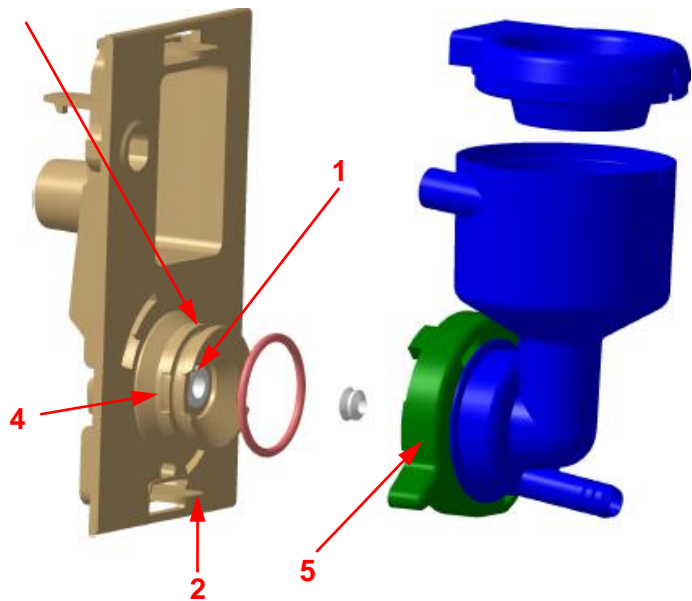
The mixer assembly has been modified as follows.

- 1) Teflon coated bush inserted on mixer plate
- 2) In order to make easier the removal of mixer plate (without usage of tools) the fins have been lenghtened
- 3) Position of O-RING changed
- 4) In order to make easier the removal of the O-RING,a rabbet has been introduced.
- 5) Ring nut with new locking fins

Implementation is effective starting from S/N **14014472**.

Here below details of design review.

NEW MIXER ASSEMBLY



OLD MIXER ASSEMBLY

TECHNICAL INFORMATION

Range WITTENBORG	Model ALL	T.I. Nr 28_2011
Serial Number 14014472	Subject MIXER ASSEMBLY	Complaint Nr W 10/026

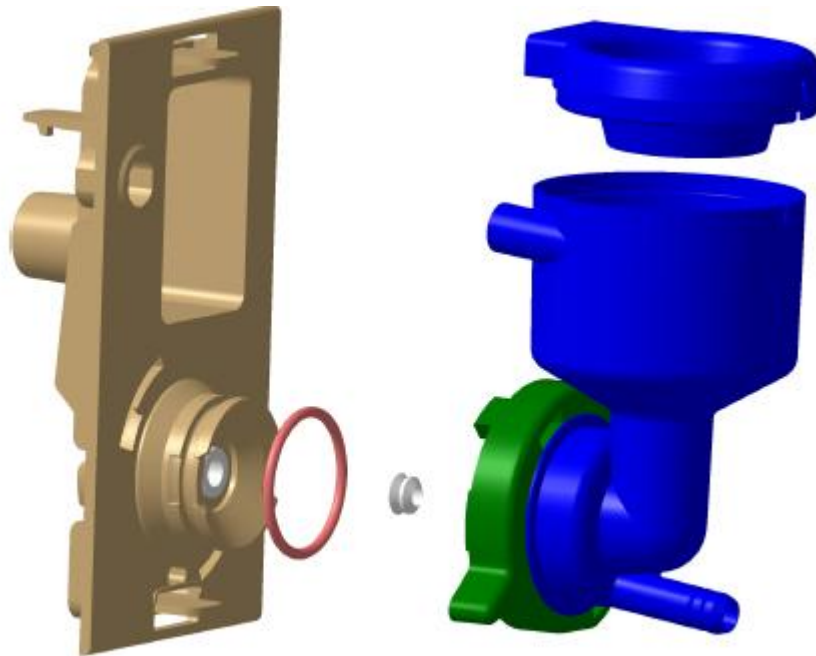
PARTS MODIFIED

OLD

- Mixer plate (SPARE **31155300**)
- Mixer body 180° + ring nut (SPARE **31083200**)
- Mixer body 45° + ring nut (SPARE **31083300**)

NEW

- Mixer plate (SPARE **256075**)
- Mixer body 180° + ring nut (SPARE **256427**)
- Mixer body 45° + ring nut (SPARE **256428**)



Kit retrofit new mixer assembly 180° (SPARE **256243**)

- Mixer plate (SPARE **256075**)
- OR gasket (SPARE **0V0776**)
- V-RING gasket (SPARE **39400401**)
- Mixer body 180° (SPARE **39719400**)
- Mixer lid (SPARE **39719300**)
- Ring nut (SPARE **256074**)

Kit retrofit new mixer assembly 45° (SPARE **256244**)

- Mixer plate (SPARE **256075**)
- OR gasket (SPARE **0V0776**)
- V-RING gasket (SPARE **39400401**)
- Mixer body 45° with ring nut (SPARE **39719500**)
- Mixer lid (SPARE **39719300**)
- Ring nut (SPARE **256074**)