

TYPE-NO CV 2100 - CV 3100	TYPE Coffee Vending Machines	T.I.-NO 02-2014				
COMPLAINT NO. -	SERIAL NUMBERS AFFECTED From and including SN 000000000000	ISSUED BY Documentation N&W Valbrembo				
SUBJECT New boiler insulator		ISSUED FOR (X): <table border="1"> <tr> <td>Action:</td> <td></td> </tr> <tr> <td>Information:</td> <td>x</td> </tr> </table>	Action:		Information:	x
Action:						
Information:	x					

Components concerned:

	Part-No	Designation
previous, not installed from SN xxxxxxxxxxxx:	39759100	Boiler insulator
new, installed instead	257159	Boiler insulator (1, fig. 1)

Modification:

From the above mentioned serial number on, a new boiler insulator is installed in dispensers of the types CV2100 and CV3100.
The new insulator is made of the material expanded polypropylene (EPP), which is according to testing procedures neutral in taste.

The new boiler insulator can be recognized by the embossed stamp, which indicates the material EPP, see red arrow, fig. 2.

The shape of the new boiler insulator is not modified compared to the previously used boiler insulator 39759100, which was not installed in CV2100 / CV3100 dispensers for a short period of time.

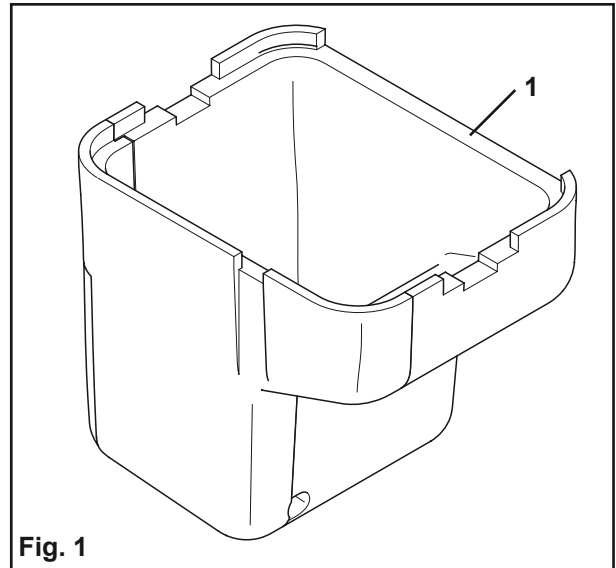


Fig. 1

Reason:

The new boiler insulator is installed in CV2100 and CV3100 to provide again the insulation function, after the dispensers were delivered without a boiler insulation for a short period of time: to provide a neutral beverage taste, the previous boiler insulator (39759100) made of EPS material was removed.

The new boiler insulator is made of the new material EPP, to avoid the risk of potential off-taste problems.



Fig. 2

Exchangeability:

The new boiler insulator can be installed in all Cafitesse Coffee Vending Machines prior to the above mentioned serial number.

The previous boiler insulator is no longer available as spare part.