

Type Coffee Vending Machine	Model KORO PRIME – KORINTO PRIME	N° T.I. 08 - 2018
Serial Number 82811318	Subject AIR – BREAK WITH LONGER FLOAT	ISSUED FOR (X) Action Information X

REASON:

To optimize the level of water contained in the *air - break* and also to prevent a possible overflow

MODIFICATIONS:

The air – break **float** has been lengthened from **85** mm to **95** mm.

New solution

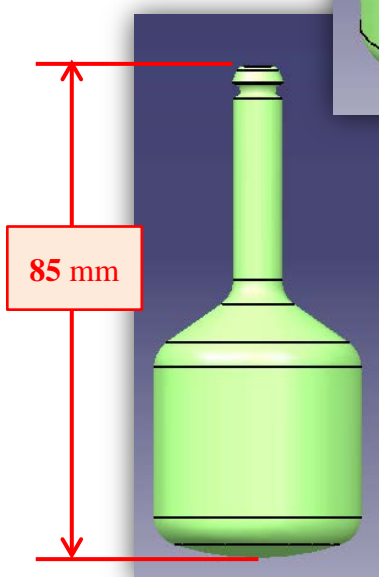
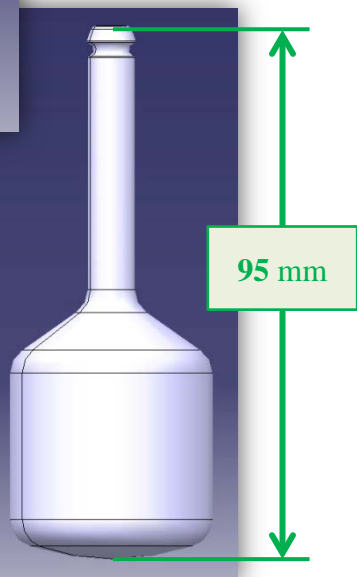
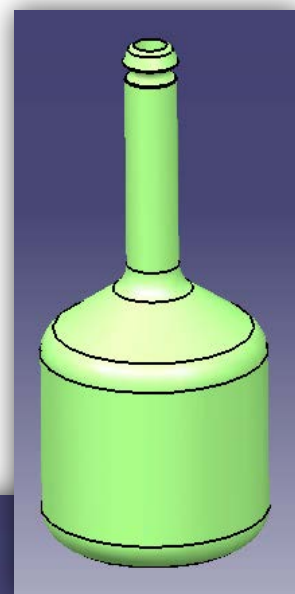
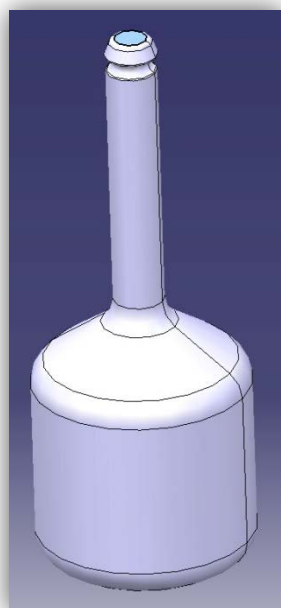
Longer float for *Air - Break*

Spare part code: **259796**

Pre-modification solution

Float for *Air - Break*

Spare part code: **0V1126**



Type Coffee Vending Machine	Model KORO PRIME – KORINTO PRIME	N° T.I. 08 - 2018
Serial Number 82811318	Subject AIR – BREAK WITH LONGER FLOAT	ISSUED FOR (X) Action Information X

New solution: *Air - Break Assembly*

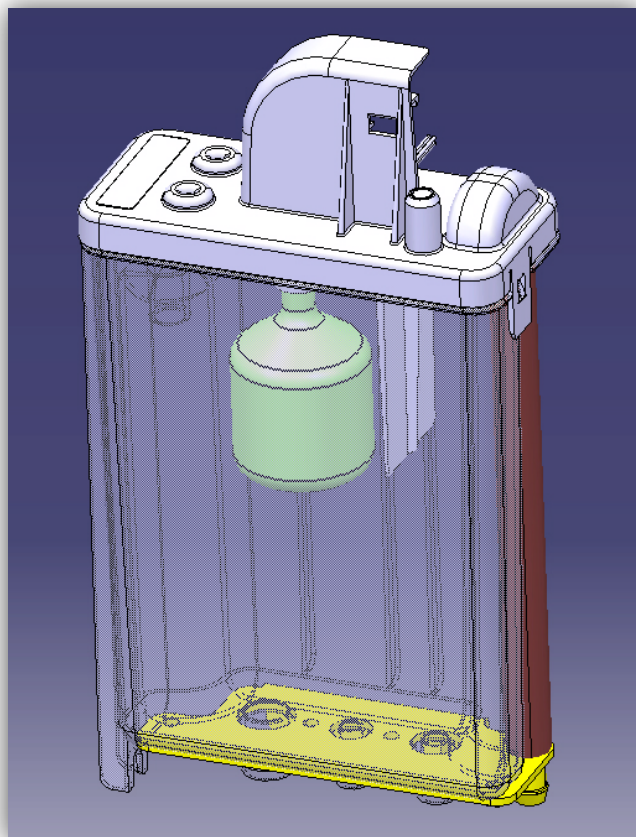
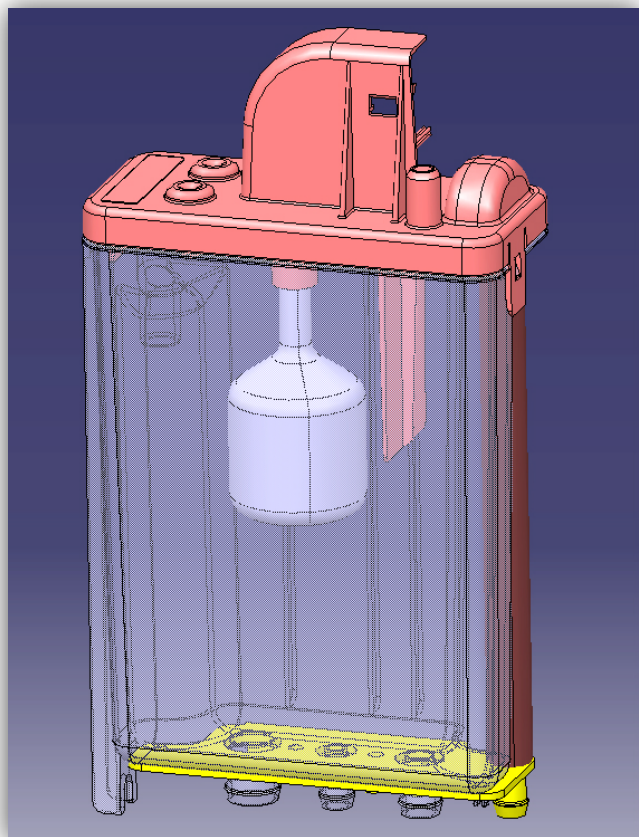
Longer float (95 mm)

Spare code: **259777**

Pre-modification solution: *Air - Break Ass.*

Float (85 mm)

Spare code: **0V1133**



➤ **Machines concerned by modification from S/N 82811318**

EXCHANGEABILITY:

The **new** solution can be fitted on machines previous to above S/N.

"**Longer float** for *Air – Break (95 mm)*" spare code: **259796**

"**Float** for *Air- Break (85 mm)*" spare code: **0V1126 :**

SAP 55003838

"**Air – Break Assembly (longer float)**" spare code: **259777** "*Air*

– Break Assembly (float 85 mm)" spare code: **0V1133**

ATTENTION POINT

and TRAINING

done in production

to carefully assembly

the hydraulic circuit

with right sloping hoses.