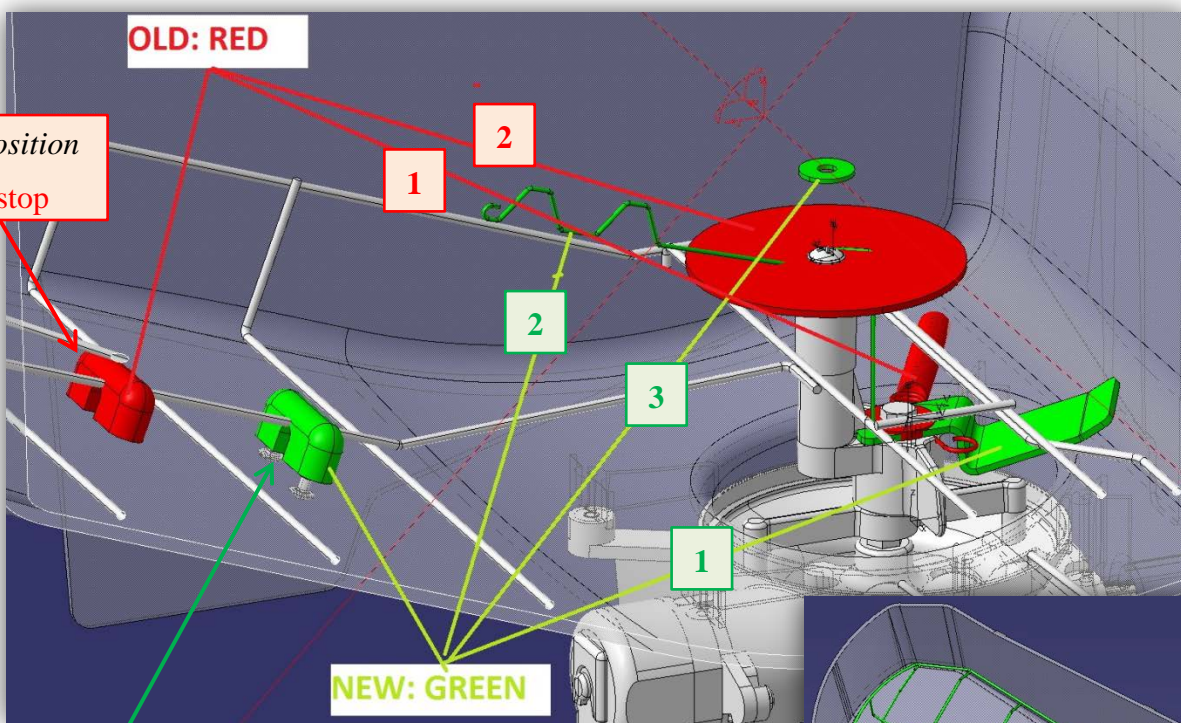


Type Coffee Vending Machine	Model 9100 - 95	N° T.I. 03 - 2019
Serial Number See page 2/2	Subject IMPROVEMENTS OF SINGLE R&G CANISTER	ISSUED FOR (X) Action Information X

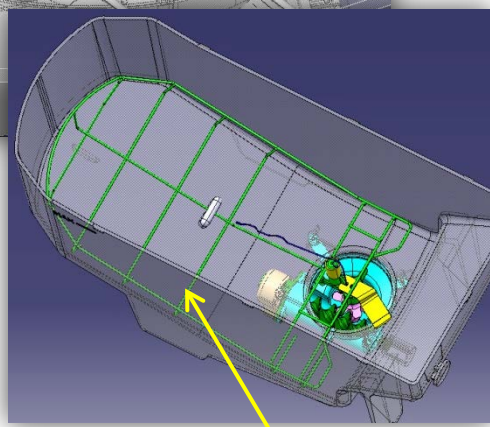
MODIFICATIONS:

The **emptying** of *R&G canister* has been improved by the following modifications:

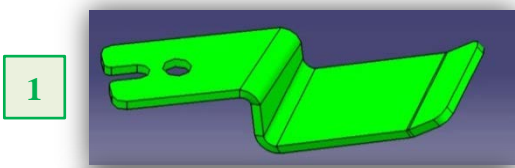
- **new** parts: **1.** lever – **2.** metal beater wire – **3.** washer
- **old** parts: **1.** beater spring – **2.** safety washer



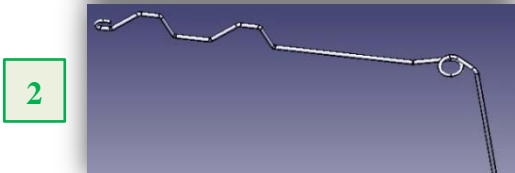
New position for *single R&G coffee scraper stop*
The stop is **now** closer to the motor to reduce the vertical movement of the *single R&G coffee scraper*



Single R&G coffee scraper
Not changed



Lever for R&G canister
Spare code: **261993**



Metal beater wire
Spare code: **261994**

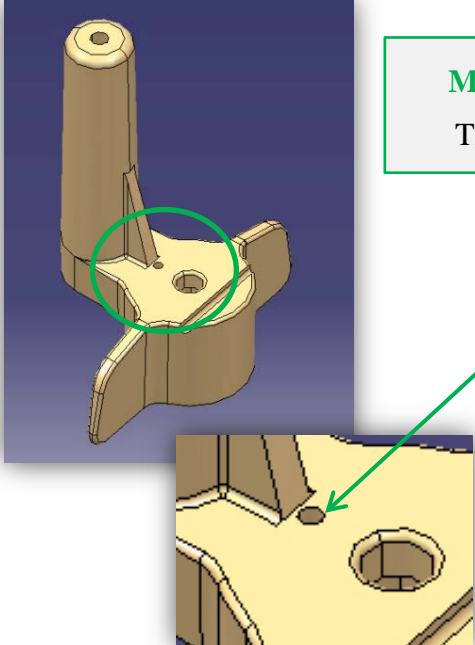
Type Coffee Vending Machine	Model 9100 - 95	N° T.I. 03 - 2019
Serial Number See page 2/2	Subject IMPROVEMENTS OF SINGLE R&G CANISTER	ISSUED FOR (X) Action Information X

3



Washer 4x12 Inox
Spare code: **255491**

4



Modified eccentric **support** for *scraper*
The spare code is not changed: **260646**

A **hole** has been added to fix the **beater** (part **2**)

➤ **Machines concerned by modification from S/N below:**

✓ 90611207	9100
✓ 90411174	95

EXCHANGEABILITY

For machines previous to above **S/N**, to get the improvements described it's necessary to replace **old** parts **1** and **2** with:

- the **new** parts **1**, **2**, **3** and the **modified** part **4**
- **Important note:** the canister capacity **reducer** (spare code: **259794**) should not be used with **new** solution.