

Type Coffee Vending Machine	Model 7200 - 7300 RANGE	T.I. NO 02 - 2016
Serial Number 52411533 (NL) 52411549 (DK)	Subject RETROFIT KIT FOR 7200 - 7300 MOBILE NOZZLE	ISSUED FOR (X) Action Information X

REASON

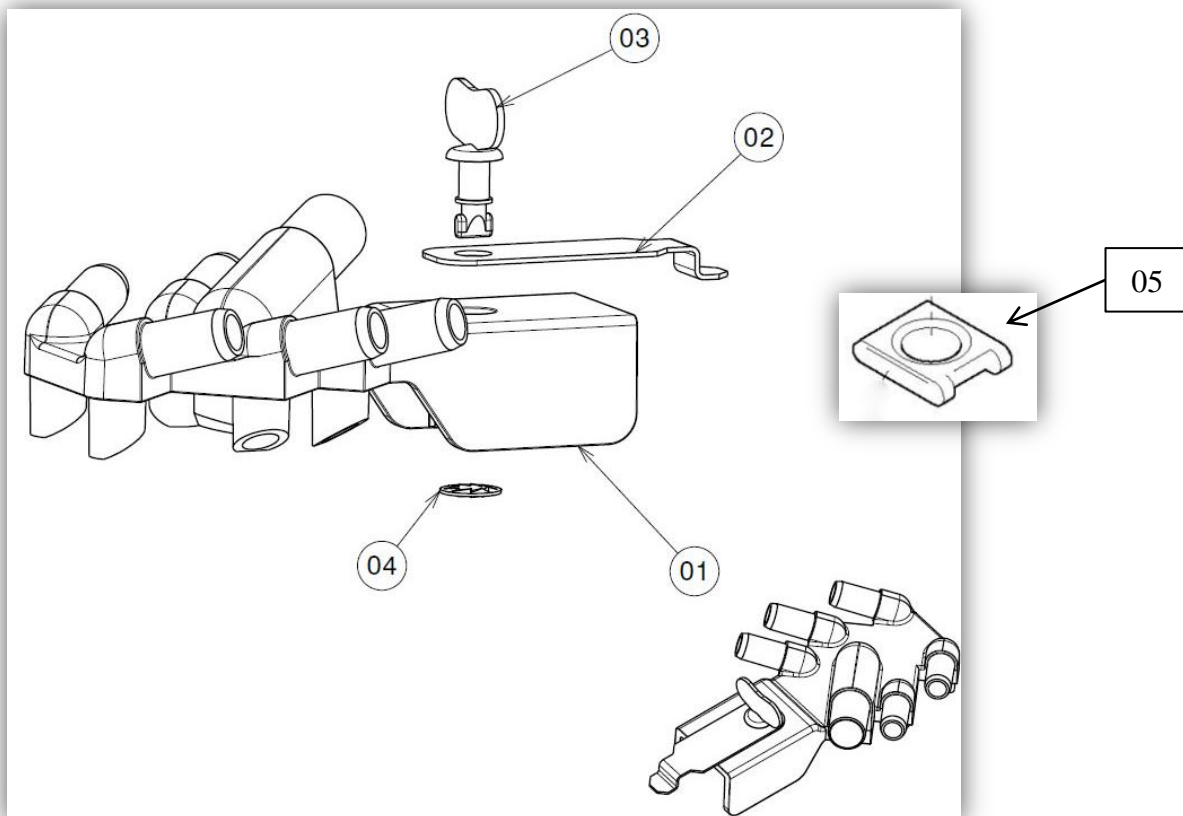
Due to the branch pipe modifications (**TI_10_2015 CV7200 and 7300 BRANCH PIPE IMPROVEMENTS**) a **new retrofit KIT** is released to mount the new *mobile nozzle* (spare **39758600**) in machines parked on the field.

MODIFICATIONS:

The NEW **KIT** spare code is: **959264 SAP 55116398**

The kit is composed of the parts below:

1. **Mobile nozzle for kit** (reworked *mobile nozzle* (spare 39758600)), sap 55060244
2. **Nozzle fixing plate**
3. **Fin rapid coupling CV7200** (spare**39575100**), sap 55083278
4. **Nozzle spring washer CV7200** (spare**39575200**), sap 55083279
5. **Fin coupling spring CV7200** (spare **39575300**), sap 55083379



TECHNICAL INFORMATION JDE



Type Coffee Vending Machine	Model 7200 - 7300 RANGE	T.I. NO 02 - 2016
Serial Number 52411533 (NL) 52411549 (DK)	Subject RETROFIT KIT FOR 7200 - 7300 MOBILE NOZZLE	ISSUED FOR (X) Action Information X

Machines concerned till S/N 52411533 (NL) 52411549 (DK) with the previous Branch Pipe version need this kit to retrofit the new nozzle support.

EXCHANGEABILITY:

For the machines prior to the above mentioned serial number it's possible to implement the modification by ordering the KIT above. The machine after the SNs mentioned could fit the standard nozzle support **39758600.**