

Type Coffee Vending Machine	Model 95	N° T.I. 01 - 2020				
Serial Number 93811697	Subject Modification of CUP SENSOR WIRING	ISSUED FOR (X) <table border="1" style="display: inline-table; vertical-align: middle;"> <tr> <td>Action</td> <td></td> </tr> <tr> <td>Information</td> <td>X</td> </tr> </table>	Action		Information	X
Action						
Information	X					

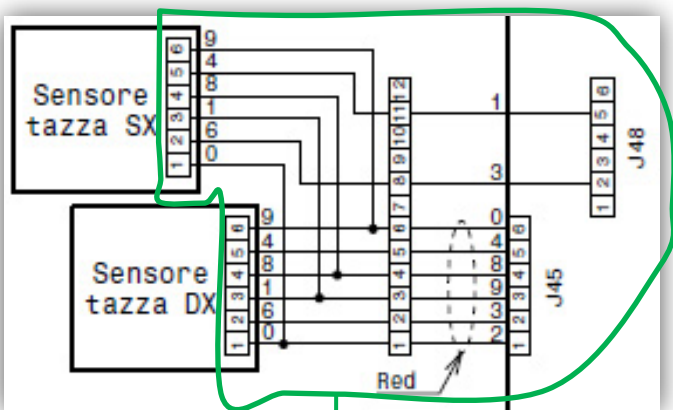
REASON:

To avoid any possible electric interference of two *cup sensors* , that could cause a malfunctioning.

MODIFICATIONS:

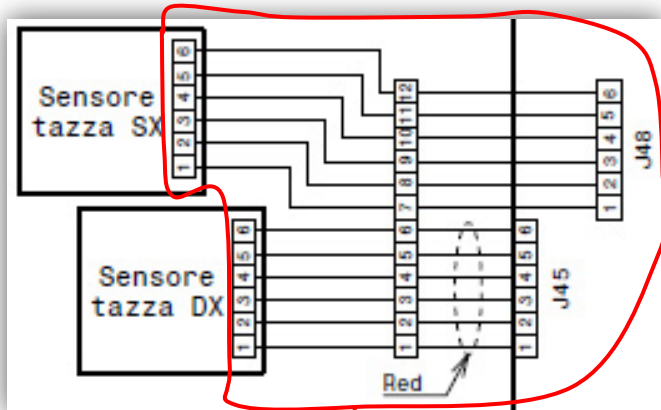
The *cup sensor wiring* has been modified as shown below

Detail of **modified**
Door wiring diagram



Modified *cup sensor wiring*

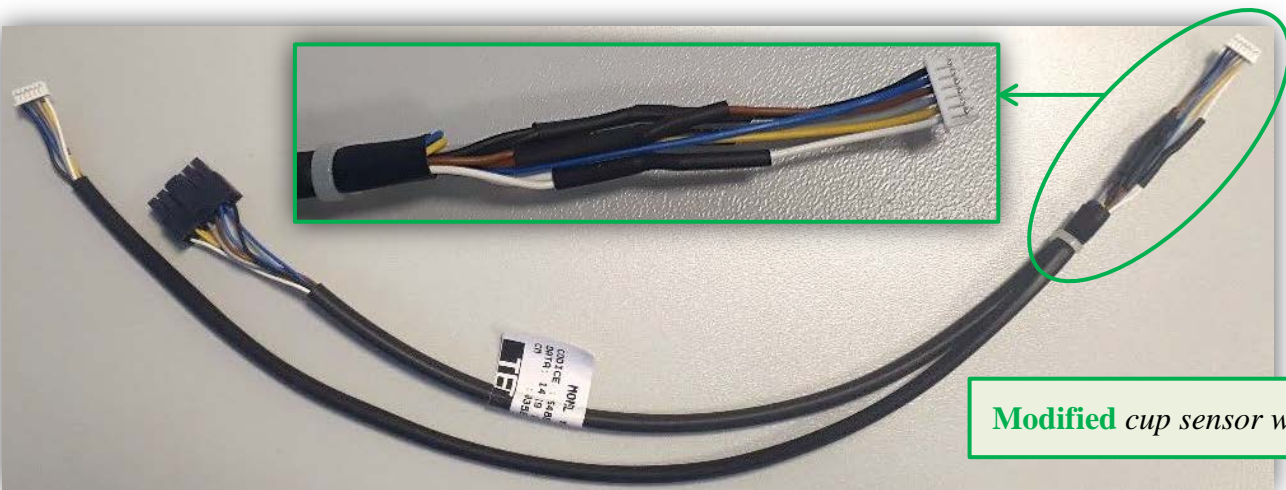
Detail of **pre-modification**
Door wiring diagram



Pre-modification *cup sensor wiring*

The *cup sensor wiring* spare code is not changed: **261898**

sap:55120044



Modified *cup sensor wiring*

Type Coffee Vending Machine	Model 95	N° T.I. 01 - 2020
Serial Number 93811697	Subject Modification of CUP SENSOR WIRING	ISSUED Action FOR (X) Information X

➤ In addition to the modification above, to help the production line assembling, the **pre-modification door wiring** has been divided into the **modified door wiring** + **new keypad wiring**

○ **Pre-modification door wiring** spare code: **261897** It is no longer available

✓ **Modified door wiring** spare code: **262895** sap: **55121772**

✓ **New keypad wiring** spare code: **262897** sap: **55121773**

➤ **Machines concerned by modification from S/N 93811697**

EXCHANGEABILITY:

For machines previous to S/N above, it's possible to have the **new** solution by ordering the spare parts:

1. **262895** **modified door wiring 55121772**
2. **262897** **new keypad wiring 55121773**
3. **261898** **modified cup sensor wiring 55120044** (spare code not changed)