

Type Coffee Vend. Machine	Model 9100	N° T.I. 01 - 2018					
Serial Number 80412284	Subject Change MATERIAL for two Components of the AISI 316L boiler	ISSUED FOR (X)	<table border="1"> <tr> <td>Action</td> <td></td> </tr> <tr> <td>Information</td> <td>X</td> </tr> </table>	Action		Information	X
Action							
Information	X						

Reason

Make the material of the *pressure boiler components* uniform.

Modifications

The **material** of the cap and of the boiler outlet fitting has been modified from **lead-free brass** to **Aisi 316 L** (material of the boiler body).

New cap

Spare code: **261357**



Pre - modification cap

Spare code: **255773**



New boiler outlet fitting

Spare code: **261358**



Pre - modification boiler outlet fitting

Spare code: **255774**



➤ **Machines concerned by modification from S/N: 80412284**

Type Coffee Vend. Machine	Model 9100	N° T.I. 01 - 2018	
Serial Number 80412284	Subject Change MATERIAL for two Components of the AISI 316L boiler	ISSUED FOR (X)	Action Information X

Exchangeability

The **new AISI 316 L** boiler assembly and the **pre – modification** are interchangeable.

The **pre – modification** codes are **no longer available**.

➤ **Spare codes** involved by modification:

- *Cap*
- *Boiler outlet fitting*
- BOILER ASSEMBLY 800 cc 2000 W

New

Pre - modification

261357

255773

261358

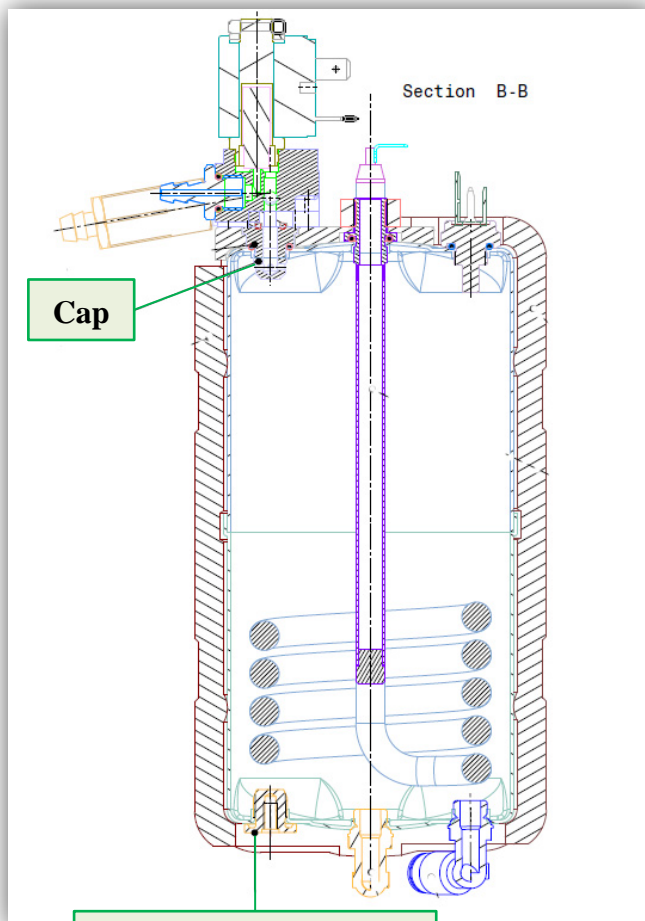
255774

261359

259782



Boiler Assembly: **261359**



Boiler outlet fitting