

Type <b>Coffee Vend. Machine</b>	Model <b>9100</b>	N° T.I. <b>01 - 2018</b>					
Serial Number <b>80412284</b>	Subject <b>Change MATERIAL for two Components of the AISI 316L boiler</b>	ISSUED FOR (X)	<table border="1"> <tr> <td>Action</td> <td></td> </tr> <tr> <td>Information</td> <td><b>X</b></td> </tr> </table>	Action		Information	<b>X</b>
Action							
Information	<b>X</b>						

**Reason**

Make the material of the *pressure boiler components* uniform.

**Modifications**

The **material** of the cap and of the boiler outlet fitting has been modified from **lead-free brass** to **Aisi 316 L** (material of the boiler body).

**New cap**  
Spare code: **261357**



**Pre - modification cap**  
Spare code: **255773**



**New boiler outlet fitting**  
Spare code: **261358**



**Pre - modification boiler outlet fitting**  
Spare code: **255774**



➤ **Machines concerned by modification from S/N: 80412284**

Type <b>Coffee Vend. Machine</b>	Model <b>9100</b>	N° T.I. <b>01 - 2018</b>	
Serial Number <b>80412284</b>	Subject <b>Change MATERIAL for two Components of the AISI 316L boiler</b>	ISSUED FOR (X)	Action Information <b>X</b>

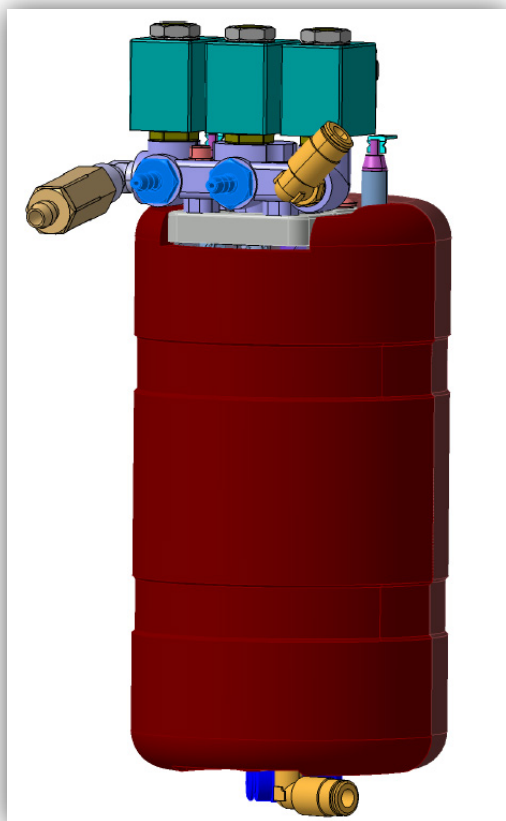
### Exchangeability

The **new AISI 316 L** boiler assembly and the **pre – modification** are interchangeable.

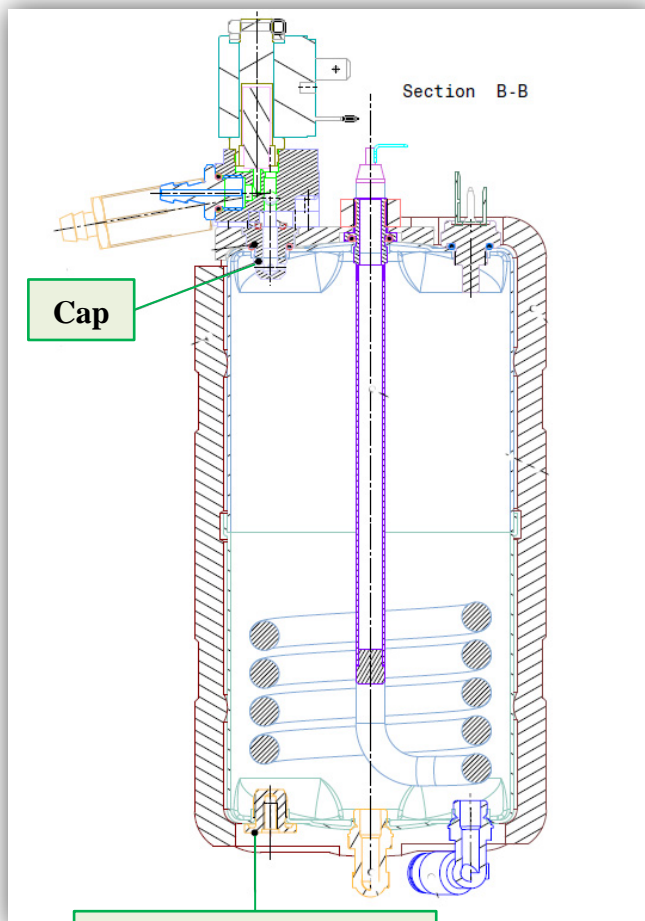
The **pre – modification** codes are **no longer available**.

➤ **Spare codes** involved by modification:

	New	Pre - modification
• <i>Cap</i>	<b>261357, SAP 55118412</b>	<b>255773</b>
• <i>Boiler outlet fitting</i>	<b>261358, SAP 55118413</b>	<b>255774</b>
• <b>BOILER ASSEMBLY 800 cc 2000 W</b>	<b>261359, SAP 55118414</b>	<b>259782</b>



Boiler Assembly: **261359**



Boiler outlet fitting