

TYPE NO 7100ES-7100IN	TYPE Coffe Vending Machines	T.I. NO 2012_16				
SERIAL NUMBERS AFFECTED	From and including S/N: 22511805 IN range; 22611606 ES range	ISSUED BY Documentation/N&W Valbrembo				
SUBJECT Cup station cover + nuzzles support		ISSUED FOR (X): <table border="1"> <tr> <td>Action</td> <td><input type="checkbox"/></td> </tr> <tr> <td>Information</td> <td><input checked="" type="checkbox"/></td> </tr> </table>	Action	<input type="checkbox"/>	Information	<input checked="" type="checkbox"/>
Action	<input type="checkbox"/>					
Information	<input checked="" type="checkbox"/>					

HEADLINE

- In all 7100ES and 7100IN machines from serial number **22611606** (ES range) and **22511805** (IN range), the radius of the hole of the cup station cover has been increased in order to leave more distance from the spouts and the edge of the hole.
- The nuzzles support has been modified and split in 2 different parts to improve the position and to make it adjustable.

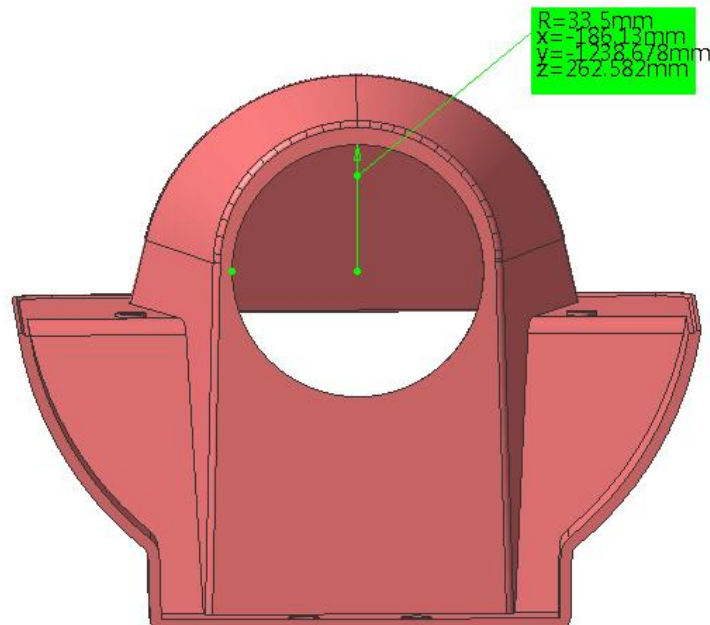
COMPONENTS CONCERNED

New cover cup station

546284601 Enlarged cover cup station SPARE: **39709600**

Cover cup station old codes:

546284600 = (out of production) SPARE: **39709600** (the same before, but already scrapped)



TYPE NO 7100ES-7100IN	TYPE Coffe Vending Machines	T.I. NO 2012_16				
SERIAL NUMBERS AFFECTED	From and including S/N: 22511805 IN range; 22611606 ES range	ISSUED BY Documentation/N&W Valbrembo				
SUBJECT Cup station cover + nuzzles support		ISSUED FOR (X): <table border="1"> <tr> <td>Action</td> <td><input type="checkbox"/></td> </tr> <tr> <td>Information</td> <td><input checked="" type="checkbox"/></td> </tr> </table>	Action	<input type="checkbox"/>	Information	<input checked="" type="checkbox"/>
Action	<input type="checkbox"/>					
Information	<input checked="" type="checkbox"/>					

IN7100 range

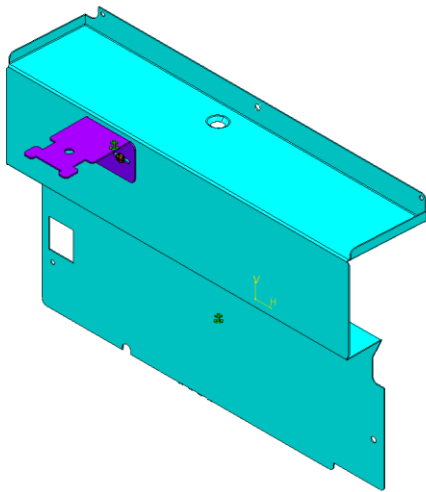
New Upgraded kit:

257301 Nozzle support unit for IN machines with screwed solution

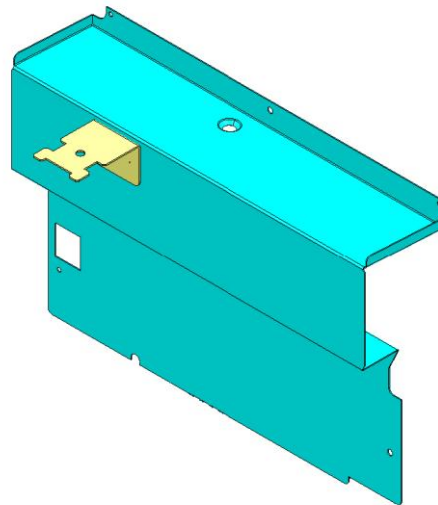
Previous code:

31216800 Nozzle support unit for IN machines with welded solution (*still available*)

New screwed solution



Previous welded solution



The 2 screw were added in order to install the nozzle support to the frame. The kit include frame, nozzle support and screws.

TYPE NO 7100ES-7100IN	TYPE Coffe Vending Machines	T.I. NO 2012_16				
SERIAL NUMBERS AFFECTED	From and including S/N: 22511805 IN range; 22611606 ES range	ISSUED BY Documentation/N&W Valbrembo				
SUBJECT Cup station cover + nuzzles support		ISSUED FOR (X): <table border="1"> <tr> <td>Action</td> <td><input type="checkbox"/></td> </tr> <tr> <td>Information</td> <td><input checked="" type="checkbox"/></td> </tr> </table>	Action	<input type="checkbox"/>	Information	<input checked="" type="checkbox"/>
Action	<input type="checkbox"/>					
Information	<input checked="" type="checkbox"/>					

ES7100 range

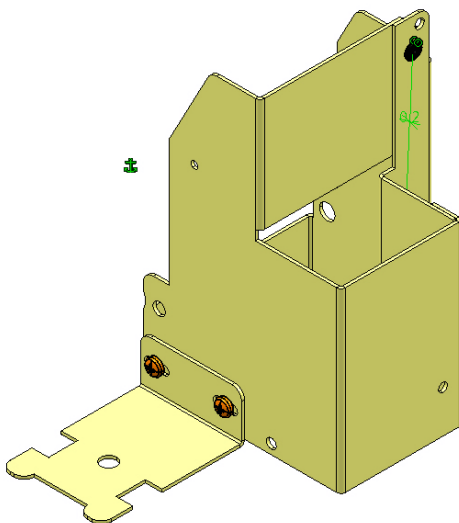
New Upgraded kit:

257302 Nozzle support unit for ES machines with screwed solution

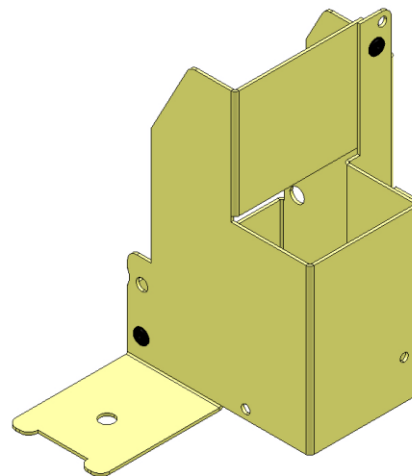
Previous code:

31181000 Nozzle support unit for IN machines with welded solution (*still available*)

New screwed solution



Previous welded solution



The 2 screw were added in order to install the nozzle support to the frame. The kit include frame, nozzle support and screws.

MODIFICATION

- To increase the radius of cup station's hole
- To split the support nuzzles in 2 different parts and fin lengthen

REASON

- To improve the double outlet solutions with larger space for beverage delivering;
- To improve the center the spout and make it adjustable to be suitable in each machine;



TECHNICAL INFORMATION

TYPE NO 7100ES-7100IN	TYPE Coffe Vending Machines	T.I. NO 2012_16				
SERIAL NUMBERS AFFECTED	From and including S/N: 22511805 IN range; 22611606 ES range	ISSUED BY Documentation/N&W Valbrembo				
SUBJECT Cup station cover + nuzzles support	ISSUED FOR (X): <table border="1"><tr><td>Action</td><td><input type="checkbox"/></td></tr><tr><td>Information</td><td><input checked="" type="checkbox"/></td></tr></table>		Action	<input type="checkbox"/>	Information	<input checked="" type="checkbox"/>
Action	<input type="checkbox"/>					
Information	<input checked="" type="checkbox"/>					

REPLACEABILITY

The previous parts and the new parts are completely replaceable;