

TYPE NO <b>CV7200 CV7300</b>	TYPE <b>Coffe Vending Machines</b>	T.I. NO <b>02</b>				
SERIAL NUMBERS AFFECTED <b>From and including S/N 30311536</b>	ISSUED BY <b>Documentation/N&amp;W Valbrembo</b>					
SUBJECT <b>GRIP step 2</b>		ISSUED FOR (X): <table border="1"> <tr> <td>Action</td> <td></td> </tr> <tr> <td>Information</td> <td><b>X</b></td> </tr> </table>	Action		Information	<b>X</b>
Action						
Information	<b>X</b>					

## HEADLINE

- In all CV7200 and CV7300 machines from serial number 30311536 , the branch pipe, mixer cover fixation , CPU board and the overflow have been modified.

## COMPONENTS CONCERNED - branch pipe

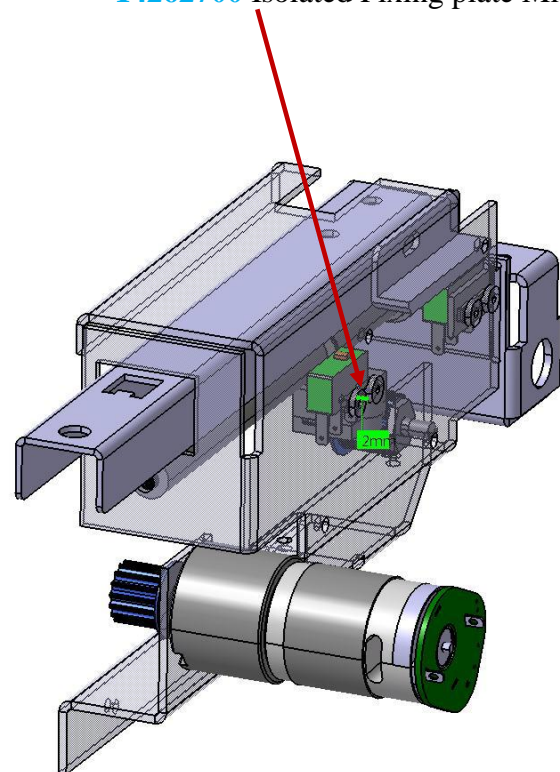
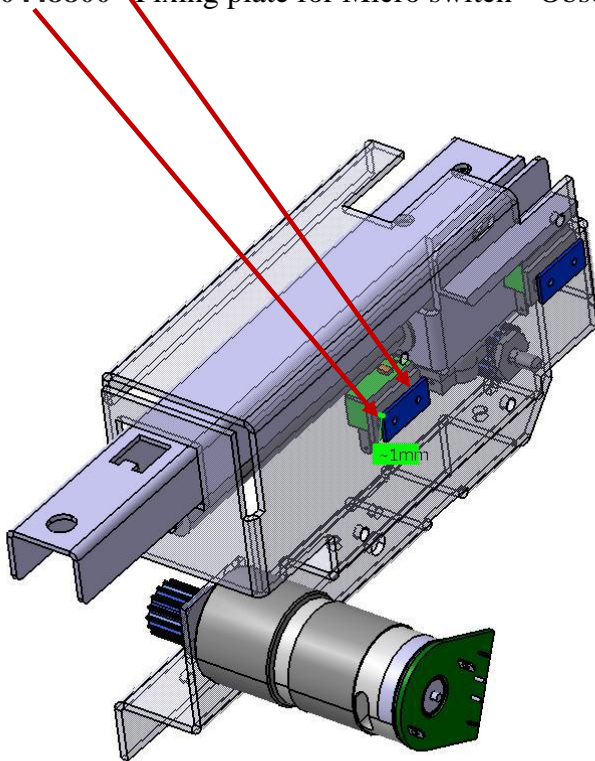
- Branch pipe

### Old codes:

- 39637700** Micro switch plate - Obsolete
- 30448800** Fixing plate for Micro switch - Obsolete

### New Code

- 
- 14262700** Isolated Fixing plate Micro



## MODIFICATION

- The metal plate is replaced by a insert in order to increase the thickness up to 2mm and a thread holder;

## REASON

- Too little material thickness for the thread of the screw (1mm): the thread gets easily damaged and the fixing is not working anymore

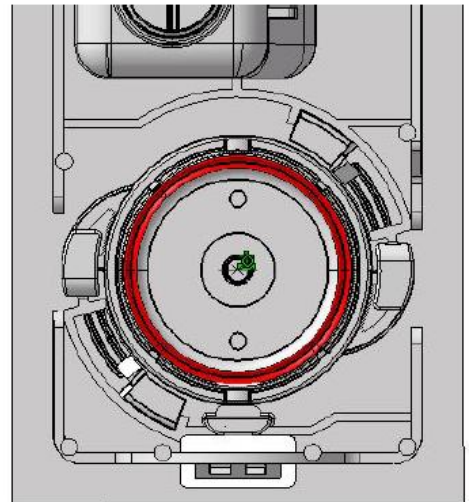
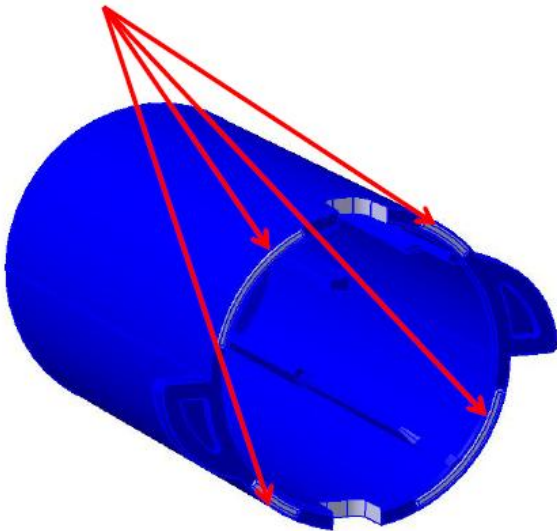
## BACKWARDS COMPATIBLE

- YES

TYPE NO <b>CV7200 CV7300</b>	TYPE <b>Coffe Vending Machines</b>	T.I. NO <b>02</b>				
SERIAL NUMBERS AFFECTED	<b>From and including S/N 30311536</b>	ISSUED BY <b>Documentation/N&amp;W Valbrembo</b>				
SUBJECT <b>GRIP step 2</b>	ISSUED FOR (X): <table border="1"> <tr> <td>Action</td> <td></td> </tr> <tr> <td>Information</td> <td><b>X</b></td> </tr> </table>		Action		Information	<b>X</b>
Action						
Information	<b>X</b>					

**COMPONENTS CONCERNED** - mixer cover fixation  
 • Mixer cover

*The spare parts code has not been changed **39590300** Mixer cover*



**MODIFICATION**

- To prolong the lifetime of the V-ring and mixer motor and reduction of the sound pressure

**REASON**

- TOO HIGH VIBRATION

**BACKWARDS COMPATIBLE**

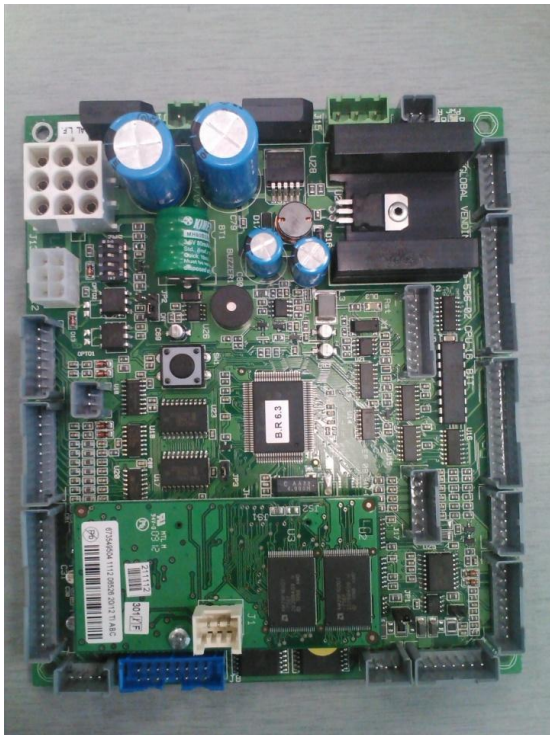
- Yes

TYPE NO <b>CV7200 CV7300</b>	TYPE <b>Coffe Vending Machines</b>	T.I. NO <b>02</b>				
SERIAL NUMBERS AFFECTED <b>From and including S/N 30311536</b>		ISSUED BY <b>Documentation/N&amp;W Valbrembo</b>				
SUBJECT <b>GRIP step 2</b>		ISSUED FOR (X): <table border="1"> <tr> <td>Action</td> <td><input type="checkbox"/></td> </tr> <tr> <td>Information</td> <td><input checked="" type="checkbox"/></td> </tr> </table>	Action	<input type="checkbox"/>	Information	<input checked="" type="checkbox"/>
Action	<input type="checkbox"/>					
Information	<input checked="" type="checkbox"/>					

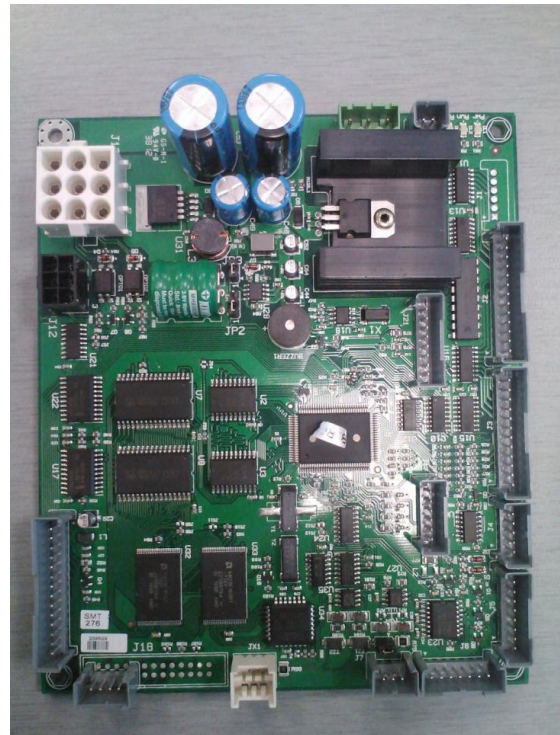
## COMPONENTS CONCERNED - CPU board

The spare parts code has not been changed **47128900** CPU Board 7xxx range

OLD



NEW



## MODIFICATION

- CPU board Re-design integrating flash board on CPU board, optimizing the electronic components and the signal-communication

## REASON

- In same case wrong initialing and not perfect communication between flash board and CPU board.

## BACKWARDS COMPATIBLE

- Yes

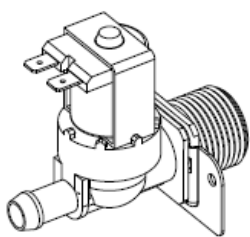
TYPE NO <b>CV7200 CV7300</b>	TYPE <b>Coffe Vending Machines</b>	T.I. NO <b>02</b>				
SERIAL NUMBERS AFFECTED <b>From and including S/N 30311536</b>		ISSUED BY <b>Documentation/N&amp;W Valbrembo</b>				
SUBJECT <b>GRIP step 2</b>		ISSUED FOR (X): <table border="1"> <tr> <td>Action</td> <td></td> </tr> <tr> <td>Information</td> <td><b>X</b></td> </tr> </table>	Action		Information	<b>X</b>
Action						
Information	<b>X</b>					

## COMPONENTS CONCERNED – Overflow OVERFLOW CIRCUIT OF BOILER

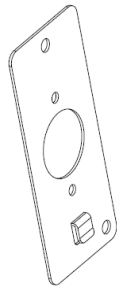
*New spare code introduced*

**256558** Inlet valve 24VDC UF 7100  
(the previous inlet valve had not spare code)

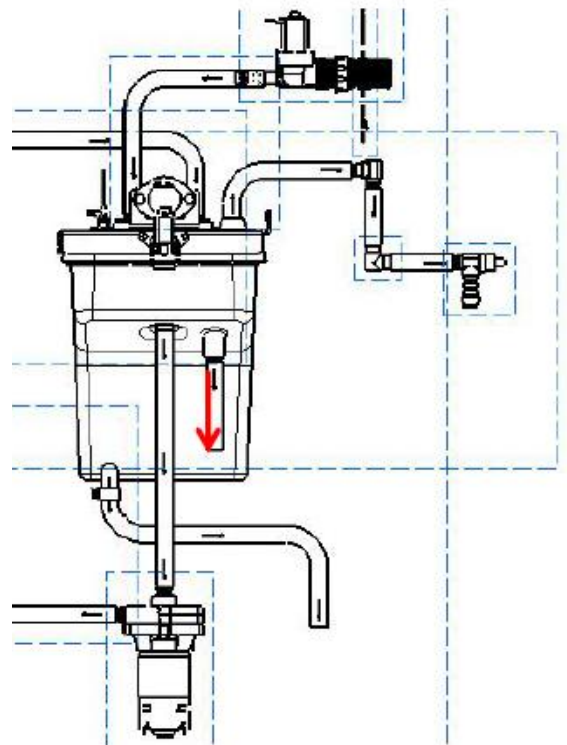
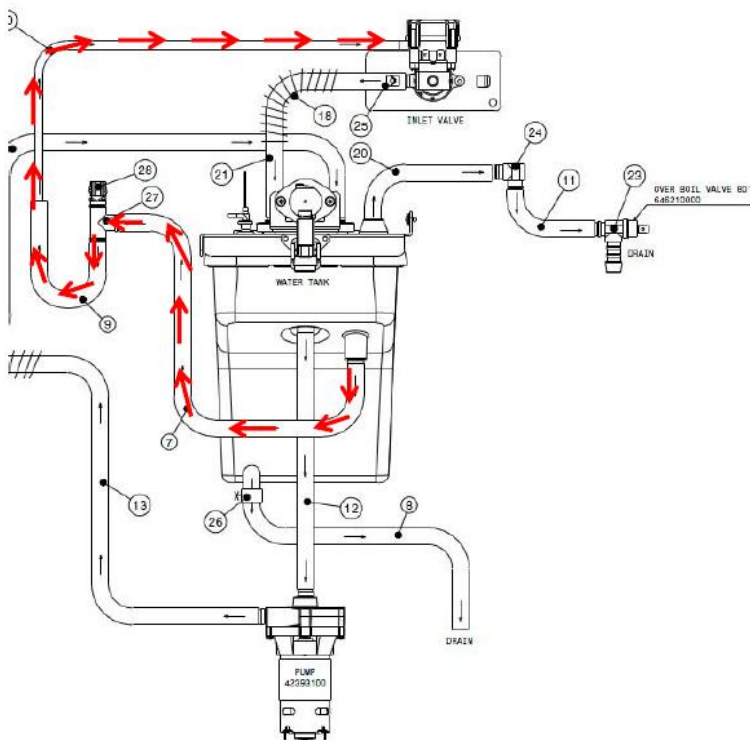
The spare code include:



*Inlet valve*



*fixing plate and screws( 3 pieces)*





# TECHNICAL INFORMATION

TYPE NO <b>CV7200 CV7300</b>	TYPE <b>Coffe Vending Machines</b>	T.I. NO <b>02</b>				
SERIAL NUMBERS AFFECTED <b>From and including S/N 30311536</b>	ISSUED BY <b>Documentation/N&amp;W Valbrembo</b>					
SUBJECT <b>GRIP step 2</b>	ISSUED FOR (X): <table border="1"><tr><td>Action</td><td></td></tr><tr><td>Information</td><td><b>X</b></td></tr></table>	Action		Information	<b>X</b>	
Action						
Information	<b>X</b>					

## MODIFICATION

- The flow back to the inlet valve has been removed: the overflow is directed on the plastic bottom plate.

## REASON

- Sometimes the overflow safety mechanism is activated even if there's not a flow issue. This causes mechanical blocking of the machine.

## BACKWARDS COMPATIBLE

- Yes