

TYPE NO <b>7300</b>	TYPE <b>Coffe Vending Machines</b>	T.I. NO <b>01</b>				
SERIAL NUMBERS AFFECTED	<b>From and including S/N 31811332</b>	ISSUED BY <b>Documentation/N&amp;W Valbrembo</b>				
SUBJECT <b>CUP DISPENSER</b>	ISSUED FOR (X): <table border="1"> <tr> <td>Action</td> <td></td> </tr> <tr> <td>Information</td> <td><b>X</b></td> </tr> </table>		Action		Information	<b>X</b>
Action						
Information	<b>X</b>					

### HEADLINE

In all 7300 machines from serial number: 31811332 onwards, modifications have been implemented to:

- 1) Avoid slipping of the toothed belt for cup transport
- 2) Prevent short circuit situations between electronic boards and metal frame.

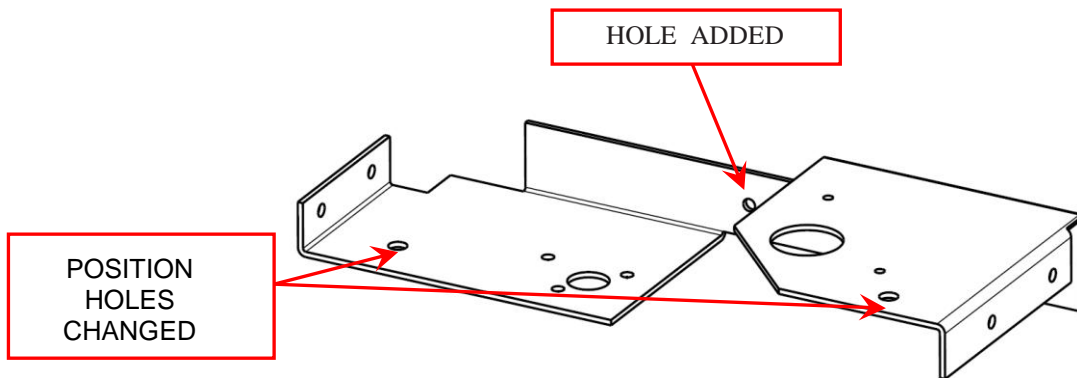
### COMPONENTS CONCERNED

*Old production codes:*

504225201 Cup dispenser metal frame – Obsolete

*New production codes:*

504225202 Cup dispenser metal frame  
(related spare [31214300S](#) Ass.Cup dispenser)

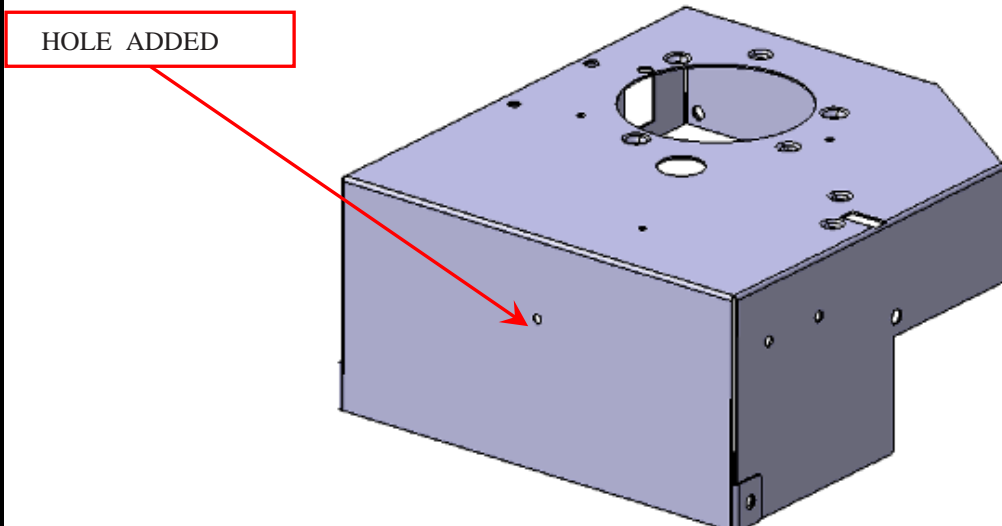


*Old production codes:*

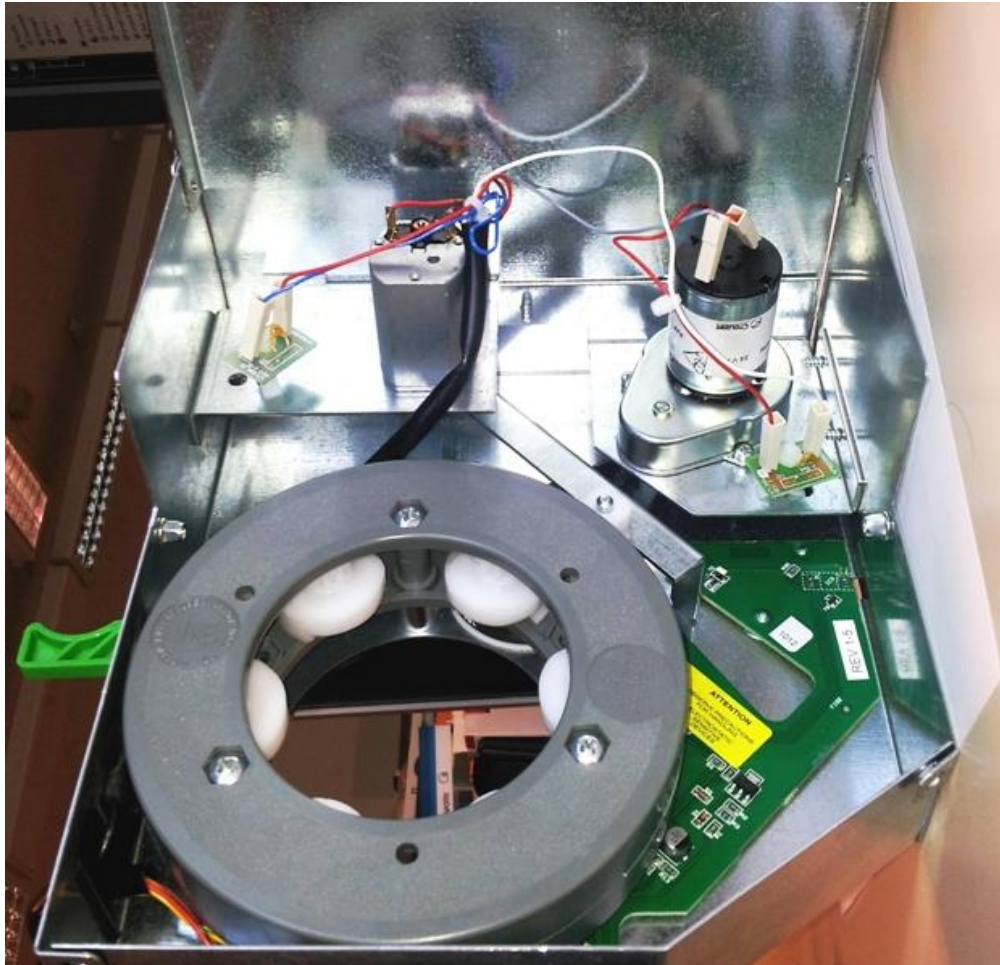
504225300 Cup dispenser Cover - Obsolete

*New production codes:*

504225301 Cup dispenser Cover  
(related spare [31214300S](#) Ass.Cup dispenser)



TYPE NO <b>7300</b>	TYPE <b>Coffe Vending Machines</b>	T.I. NO <b>01</b>				
SERIAL NUMBERS AFFECTED <b>From and including S/N 31811332</b>	ISSUED BY <b>Documentation/N&amp;W Valbrembo</b>					
SUBJECT <b>CUP DISPENSER</b>		ISSUED FOR (X): <table border="1"> <tr> <td>Action</td> <td><input type="checkbox"/></td> </tr> <tr> <td>Information</td> <td><input checked="" type="checkbox"/></td> </tr> </table>	Action	<input type="checkbox"/>	Information	<input checked="" type="checkbox"/>
Action	<input type="checkbox"/>					
Information	<input checked="" type="checkbox"/>					



## MODIFICATION

- added a hole, and position changed for 2 holes in a metal support for the cup dispenser
- added a hole in a metal bracket support motor cup dispenser

## REASON

In order to reduce the number of breakdowns during cup transfer, the tension on the toothed belt has been improved.

In order to reduce the number of breakdowns, fixation of electronic boards has been improved.

## BACKWARDS COMPATIBLE

- Yes