

Gaggia 300



Placement and connections

This leaflet provides information about space- and connection requirements to ensure safe and successful installation, and operation of your coffee machine.

The installation technician takes care of equipment installation from the wall socket(s) and the water connection point. This excludes drilling of holes in the counter or table-top to guide power cords, hoses or chutes trough.

Please consult your local JDE Professional helpdesk for more information and explanation.

Please see the product brochure for more detailed information regarding range of available drinks, specifications, options and accessories.

Gaggia 300



Placement and connections

**THE BASIS FOR
GREAT COFFEE**

Gaggia 300



Placement and connections

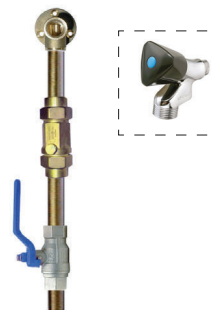
Please observe the guidelines to maximize safety and performance

unit of measurement = mm

Please consult your local JDE Professional helpdesk for more information and explanation.
Please see the product brochure for more detailed information regarding range of available drinks, specifications, options and accessories.



The machine can be equipped with extension feet to simplify counter cleaning.
Machine height including feet is 000 mm.



⚡ POWER SUPPLY

Power outlets and connections in compliance with local regulations. Distance from machine : <1 mtr.

230V 50/60Hz, 16A version: wall outlet with earth connection, max rated power = 2,9 kW.

Additional power outlets are required for optional equipment and/or accessories.

💧 WATER CONNECTION

(in compliance with your local regulations)

Copper piping (or similar material - approved for drinking water supply)

Non-return valve (mandatory in many countries – check your local regulations)

Water tap : 3/4" or 3/8"

Distance from machine : <1 m

Water hose length : 1000 mm

Dynamic pressure : min. 1 bar at 10 L/min

Static pressure : max. 8 bar non-shock

📏 DIMENSIONS

H 828 mm x W 410 mm x D 583 mm.

Additional space required:

Rear side: 50 mm for ventilation

Left/Right side: 150 mm for service/maintenance

Top side: ca. 200 mm for (re)filling ingredients

Weight: ca. 000 kg empty (ca. 000 kg in operation)

🌀 OTHER

For safety and practical reasons, we recommend positioning the wall socket above the water connection point when installing new connection points, maintaining a minimum clearance of 30/12" cm. This recommendation is most countries not mandated by current regulations.

The wall socket and water stop valve should be located in the same room as the equipment and easily accessible.

Do not use power extension cords.

The equipment is only suitable for indoor use. (temperature: 1 ~ 32 °C, humidity: <80% RH)

Place the equipment on a stable surface or furniture, capable of supporting its weight.

Gaggia 300



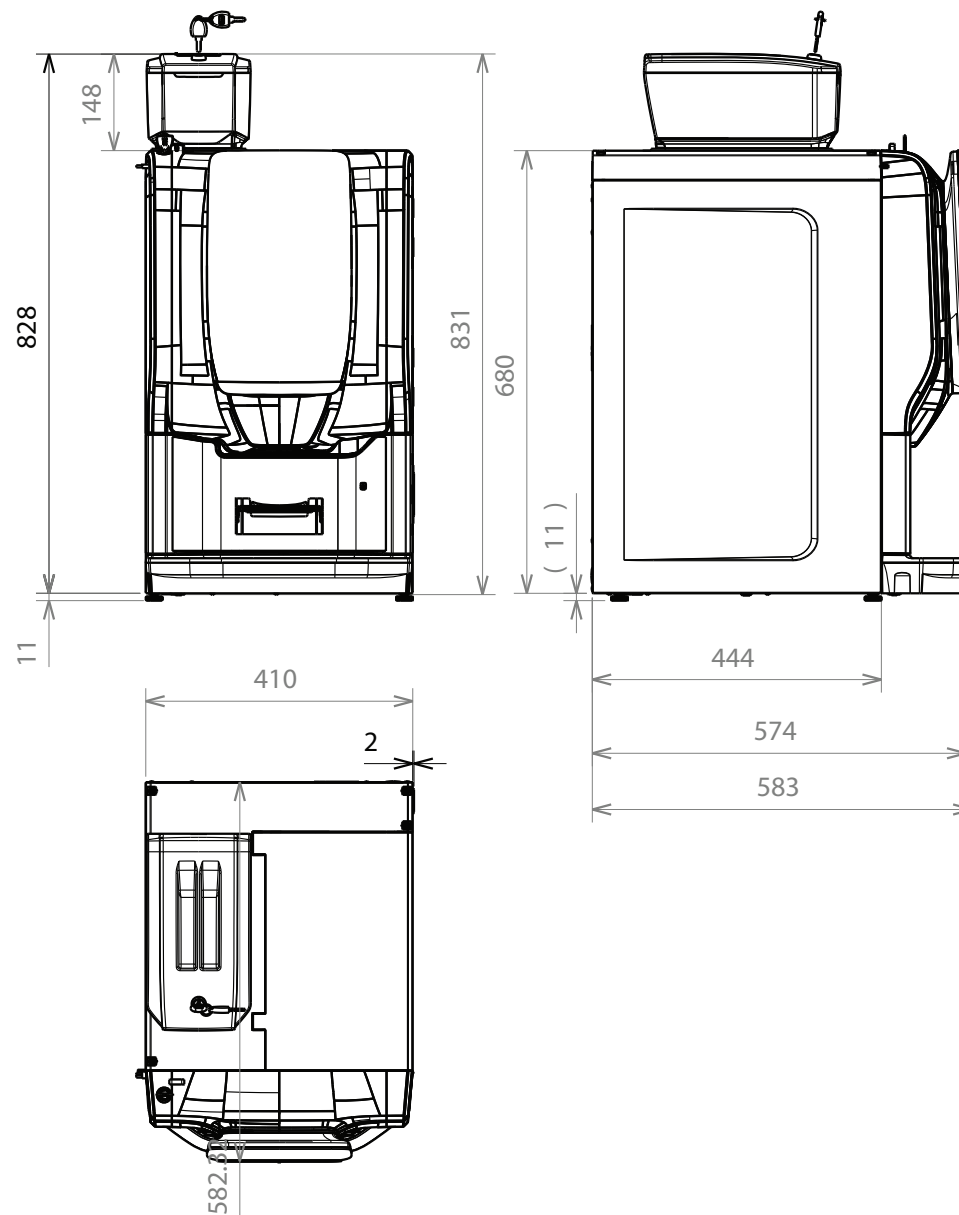
Dimensions in detail

Additional detailed information concerning dimensions.

units of measurement = mm

Please consult your local JDE Professional helpdesk for more information and explanation.

Please see the product brochure for more detailed information regarding range of available drinks, specifications, options and accessories.



Gaggia 300

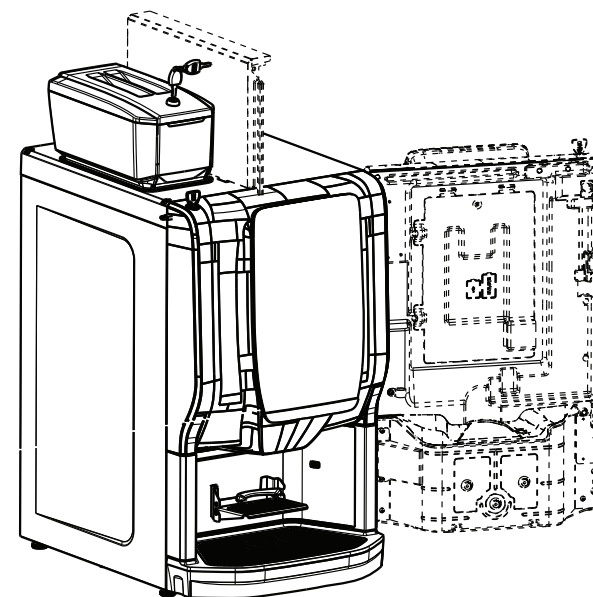
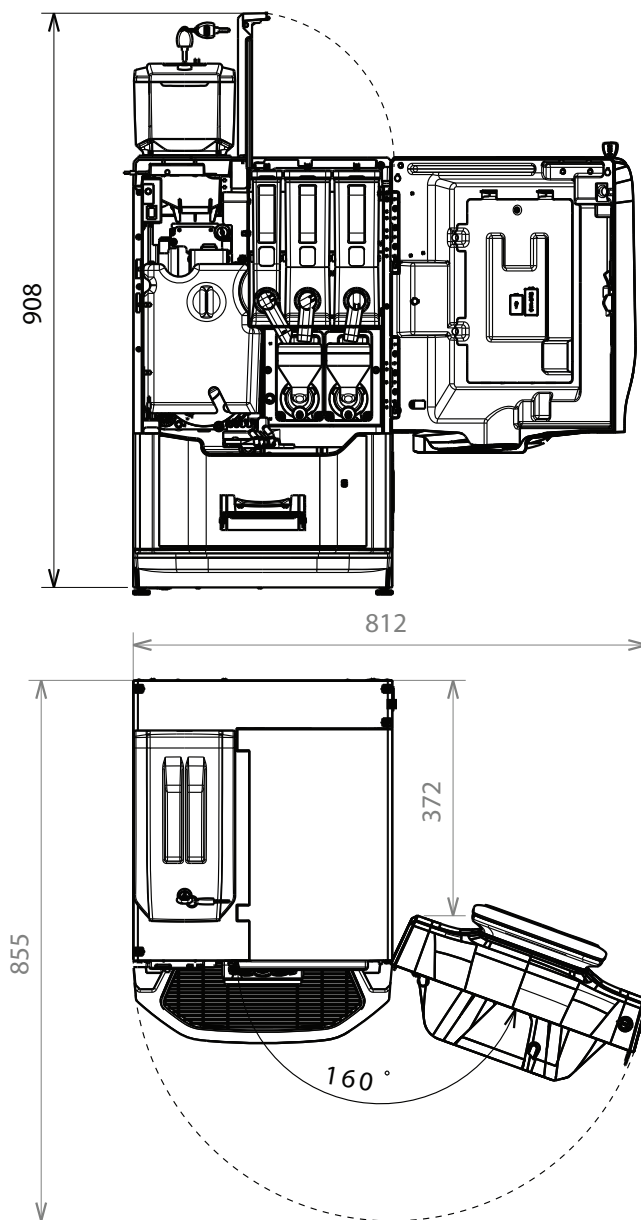


Dimensions in detail

Additional detailed information concerning dimensions.

units of measurement = mm

Please consult your local JDE Professional helpdesk for more information and explanation.
Please see the product brochure for more detailed information regarding range of available drinks, specifications, options and accessories.



Gaggia 300



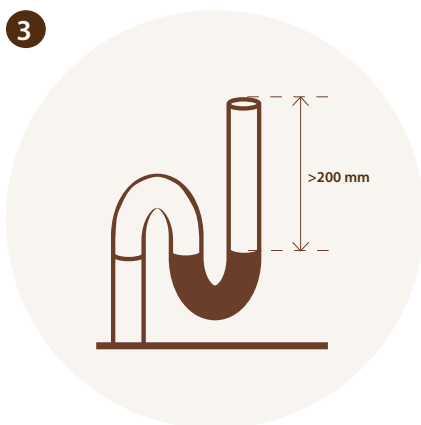
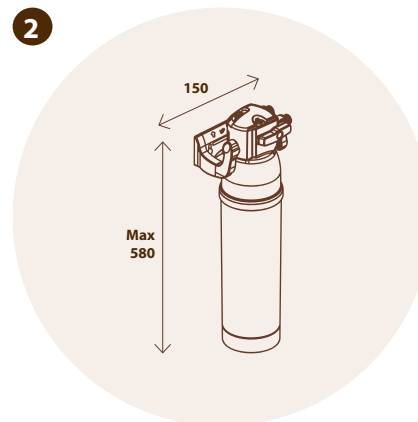
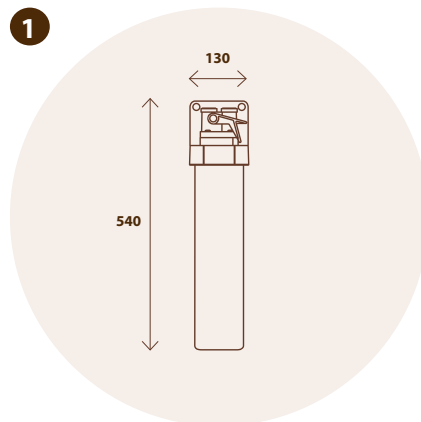
Options and water treatment

Information concerning options, water filters and -softeners.

unit of measurement = mm

Please consult your local JDE Professional helpdesk for more information and explanation.

Please see the product brochure for more detailed information regarding range of available drinks, specifications, options and accessories.



💡 EXPLANATION

1. WATER FILTER

A filter may be necessary to optimize the water quality
The max required space is:
540 (h) x 130 (b) x 130 (d)

2. WATER SOFTENING (> 8 ° DH)

A water softener is necessary if the water hardness exceeds 8 ° DH.
The type required depends on the water hardness and daily number of consumptions.

The max required space is:
580 mm (l) x 150 mm (w) x 150 mm (d)

3. WASTE PIPE (Option)

Use a 50 mm waste pipe with siphon/waste trap (within 1 meter distance from the machine) for the drain hose.

Length of the riser pipe: min. 200mm above the water level.