

This Quick reference card describes the required minimum cleaning and maintenance actions. Depending on the throughput the actions may need to be performed more frequently.

Weekly maintenance

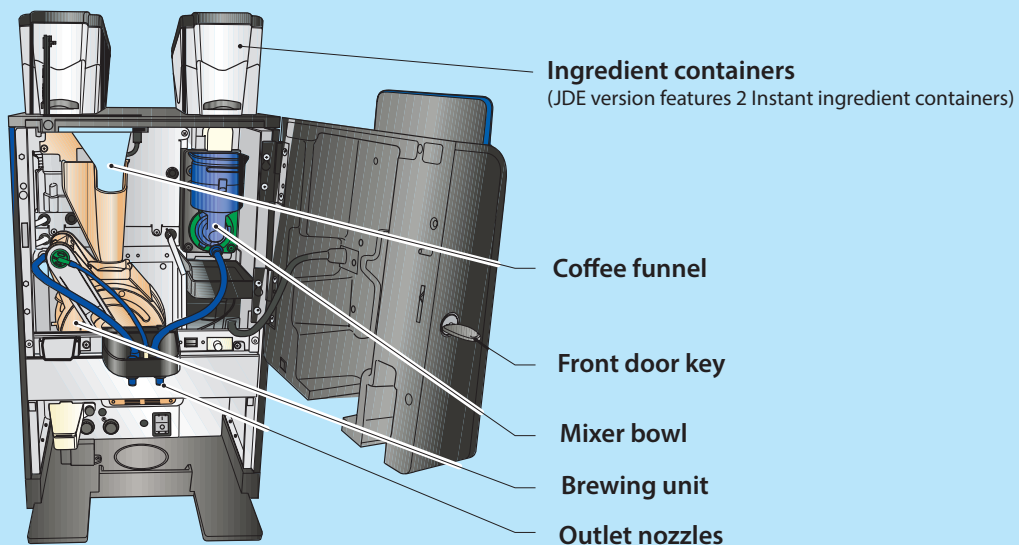
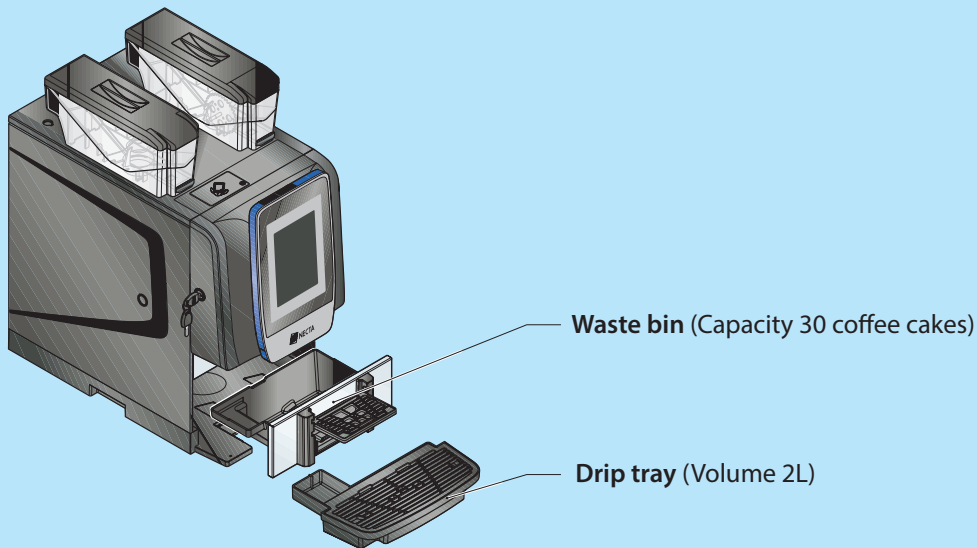
Refill coffee beans and ingredients
 Empty/clean tray and waste bin
 Rinse mixing system
 Clean machine exterior

Bi-weekly extra steps

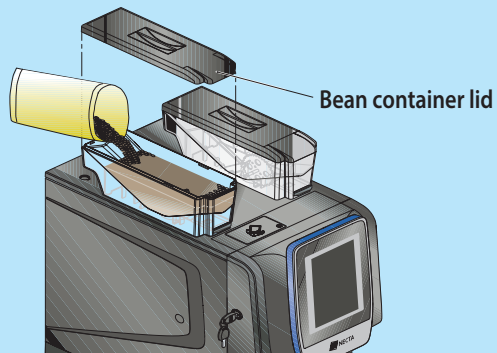
Remove and clean mixing parts
 and tubes
 Clean machine interior

Periodical maintenance

Clean brewer and rinse
 Clean coffee chute
 Clean coffee container
 Clean mixer blade

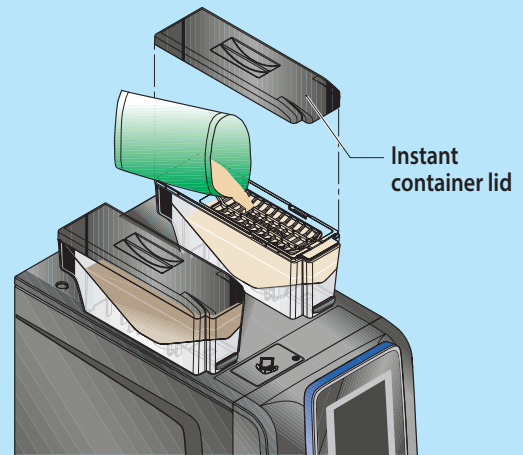


1



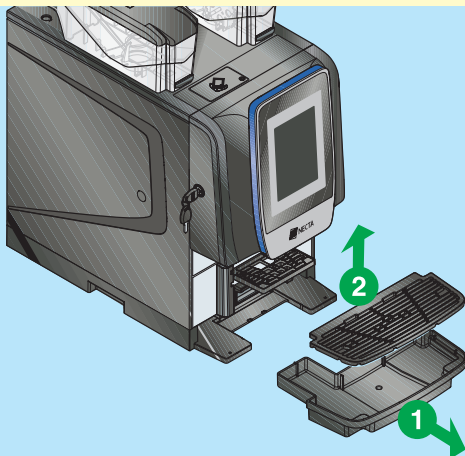
Open container lid and (re)fill coffee beans.

2



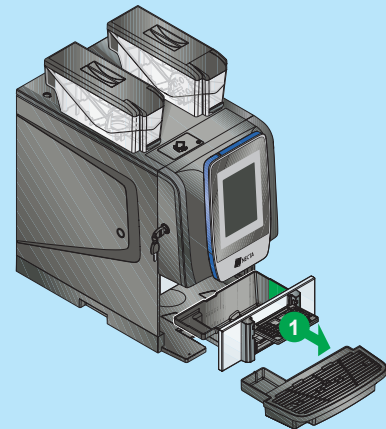
Open container lid (2x) and (re)fill instant ingredients. Do not compress the ingredients.
Confirm action in the "Daily operations" function. (if enabled)

3



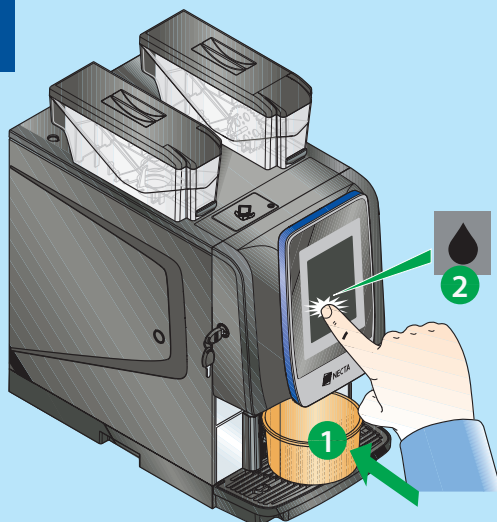
Disassemble and empty the drip tray. Clean tray (1) and grid (2).

4



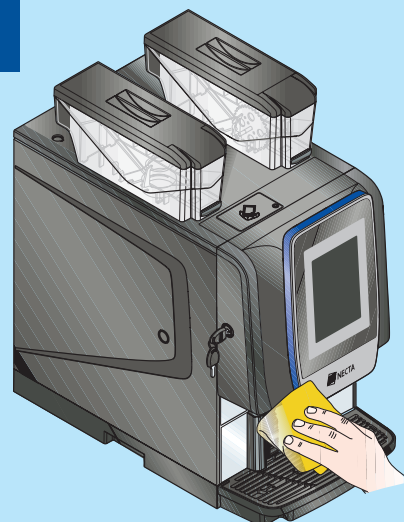
Remove the waste bin (1). Empty the bin, and clean. Dry the waste bin and re-insert. Insert the drip tray.

5



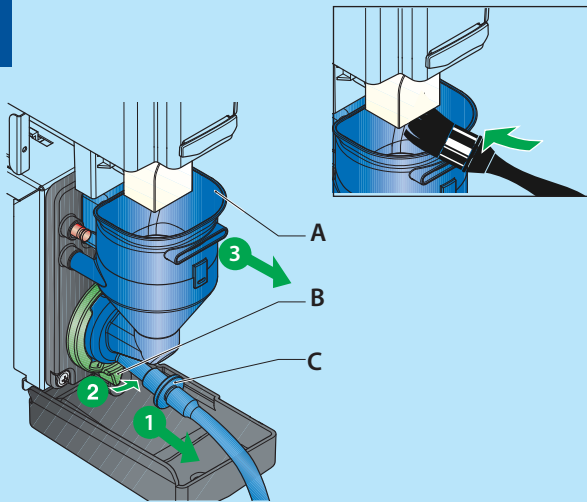
Place an empty container on the drip tray. (rinse water volume is approx. 100 ml) Start the mixer rinse program in the display.

6



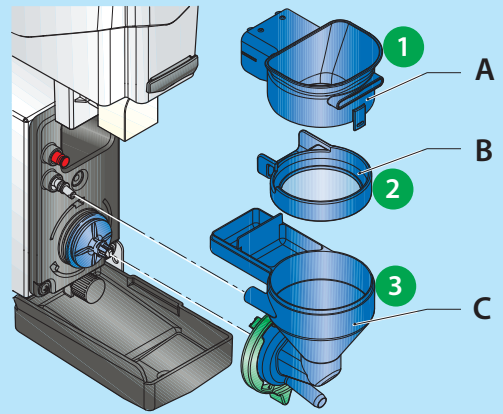
Clean the machine exterior.

1



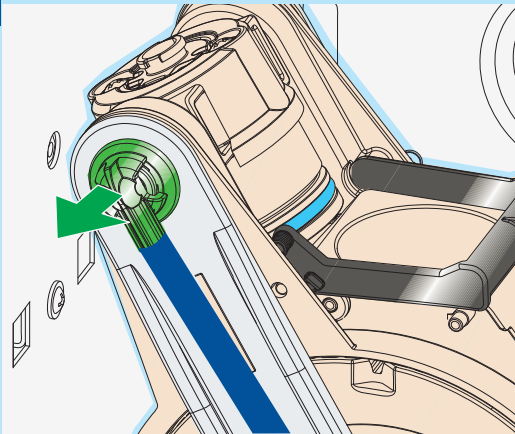
Clean the container outlet with a brush to remove ingredient residue. Remove the mixer bowl: disconnect hose (C), Turn the green lever (B) counterclockwise, and pull the mixer bowl (A) towards you.

2



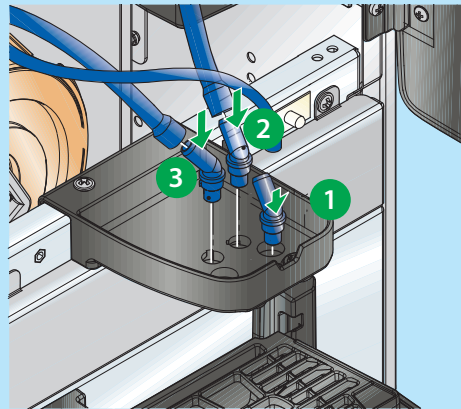
Disassemble the mixing bowl: take apart the funnel (A), mixer ring (B), and bowl (C).

3



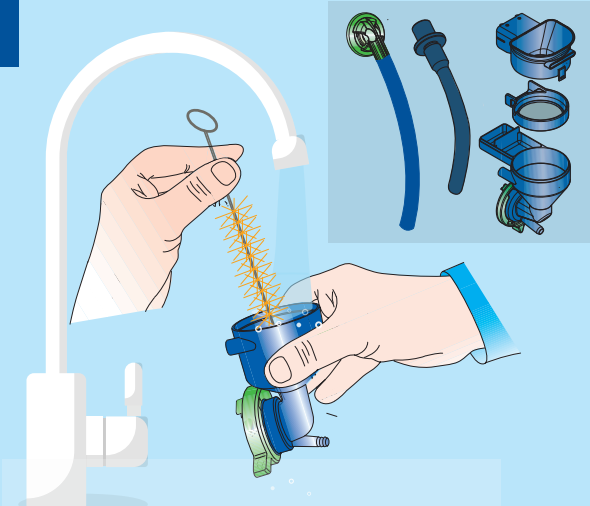
Disconnect the brewer outlet tube, and remove.

4



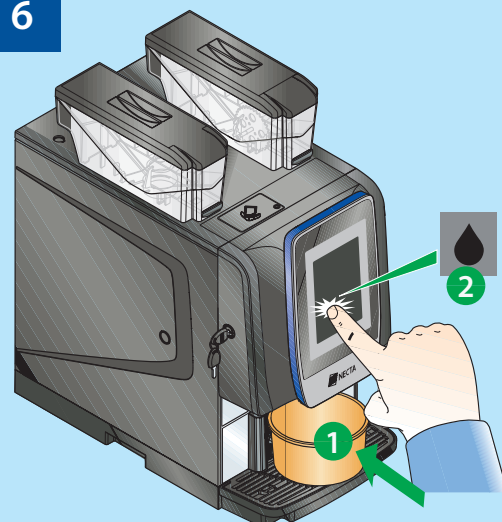
Disconnect the tubes, and the outlet nozzles from the support

5



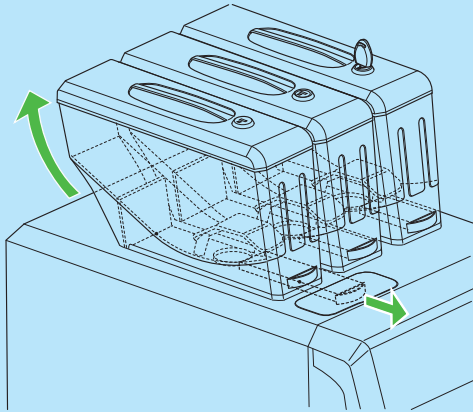
Clean the parts under a running tap, using a brush and a food grade cleaning agent if applicable. Dry the parts, re-install in reverse order. Clean machine interior. (Brush coffee grounds from brewer)

6



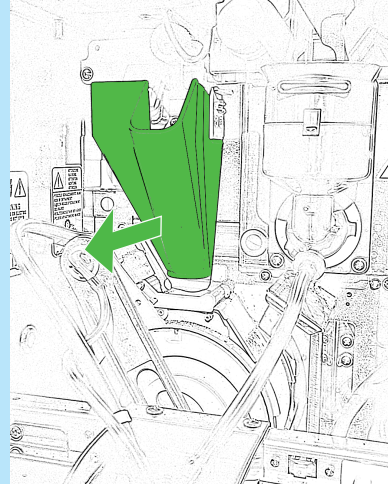
Place a empty container (1L) on the drip tray. Start the mixer rinse program in the display.

1



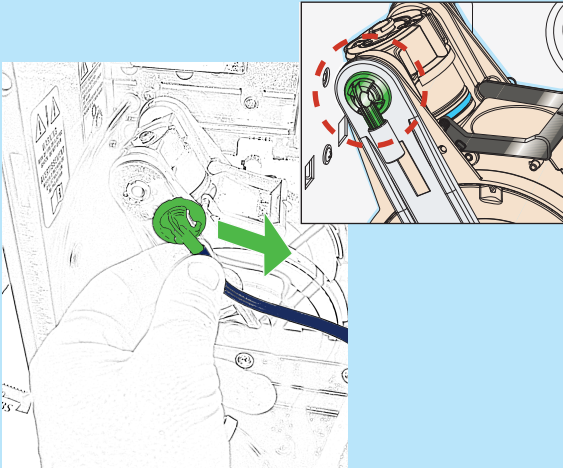
Remove the coffee container, and clean (including the top cover). Fill and re-install after cleaning.

2



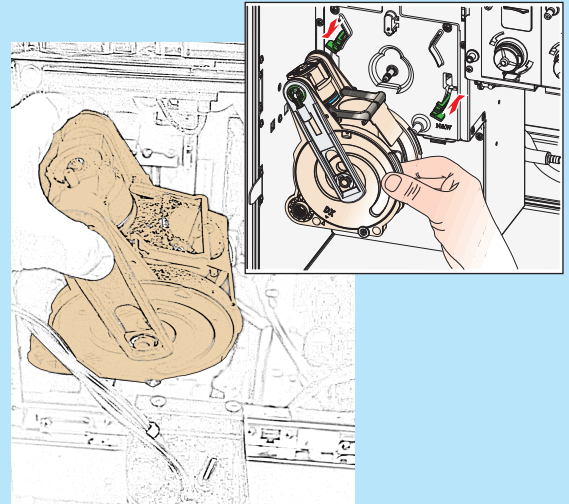
Remove the coffee funnel, and clean under a running tap.

3



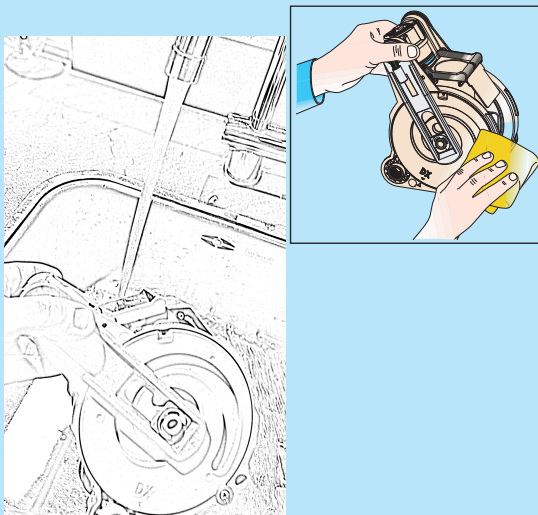
Remove the brewer outlet tube

4



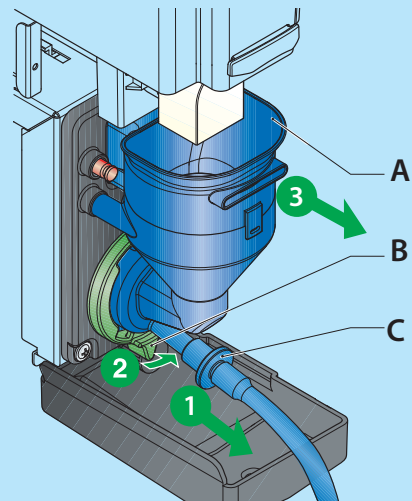
Remove the brewer from the machine. Press the green levers at both sides to release.

5



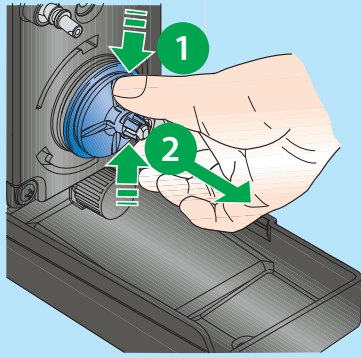
Clean the brewer and the funnel, dry and re-install.

6



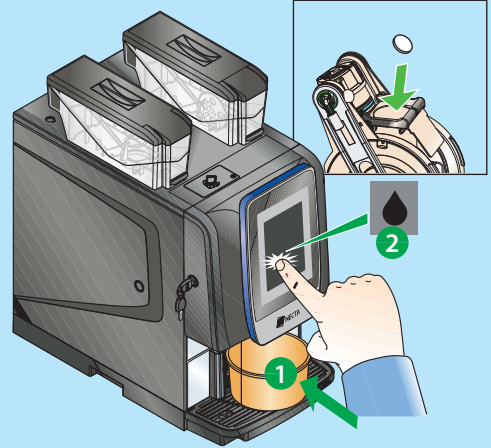
Remove the mixer bowl: disconnect hose (C), Turn the green lever (B) counterclockwise, and pull the mixer bowl (A) towards you.

7



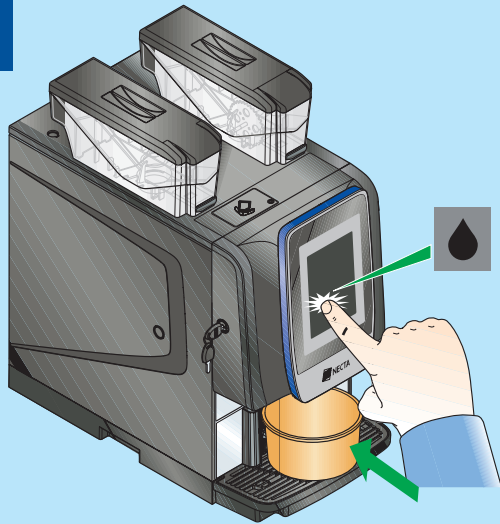
Remove the mixer blade: unscrew the blade while blocking the toothed disc. Clean and re-install als mixer parts
We recommend to also exchange the V-ring (the sealing ring behind the mixer blade) at this point.

8



Place an empty container (4L), and run the Espresso cleaning program. You will be prompted to open the door and insert a cleaning tablet in the brewer chamber.

9



Start the mixer rinse program in the display.